



# Stepping System Cables

Please note: \$US prices shown  
For current \$AUD visit [www.directautomation.com.au](http://www.directautomation.com.au)

## SureStep® Cables

SureStep Series – Stepping System Cables						
Cable	Price	Purpose	Length	Use With	Cable End Connectors	Drawing
<a href="#">STP-EXT-006</a>	\$13.00	motor to drive extension	6 ft	STP-MTR-xxxx(x)	pigtail / Molex 43020-0401 connector	<a href="#">PDF</a>
<a href="#">STP-EXT-010</a>	\$14.50		10 ft			<a href="#">PDF</a>
<a href="#">STP-EXT-020</a>	\$18.50		20 ft			<a href="#">PDF</a>
<a href="#">STP-EXTH-006</a>	\$26.50		STP-MTRH-xxxx(x)	6 ft	pigtail / Molex 39-01-2041 connector	<a href="#">PDF</a>
<a href="#">STP-EXTH-010</a>	\$31.50			10 ft		<a href="#">PDF</a>
<a href="#">STP-EXTH-020</a>	\$38.00			20 ft		<a href="#">PDF</a>
<a href="#">STP-EXTHW-006</a>	\$50.00		STP-MTRHW-xxxx(x)	6 ft	Bulgin # PXP4011/06P/6065	<a href="#">PDF</a>
<a href="#">STP-EXTHW-010</a>	\$55.00			10 ft		<a href="#">PDF</a>
<a href="#">STP-EXTHW-020</a>	\$71.00			20 ft		<a href="#">PDF</a>
<a href="#">STP-EXTL-006</a>	\$11.50		STP-MTRL-xxxx(x)	6 ft	pigtail / Molex 105308-22004 connector	<a href="#">PDF</a>
<a href="#">STP-EXTL-010</a>	\$14.50			10 ft		<a href="#">PDF</a>
<a href="#">STP-EXTL-020</a>	\$18.00			20 ft		<a href="#">PDF</a>
<a href="#">STP-EXTW-006</a>	\$50.00	STP-MTRW-xxxx(x)	6 ft	Bulgin # PXP4011/06P/6065	<a href="#">PDF</a>	
<a href="#">STP-EXTW-010</a>	\$55.00		10 ft		<a href="#">PDF</a>	
<a href="#">STP-EXTW-020</a>	\$71.00		20 ft		<a href="#">PDF</a>	
<a href="#">STP-EXT42-006</a>	\$26.00	motor to drive extension	6 ft	STP-MTRAC-42xxxx	10-pin / pigtail	<a href="#">PDF</a>
<a href="#">STP-EXT42-010</a>	\$31.00		10 ft			<a href="#">PDF</a>
<a href="#">STP-EXT42-020</a>	\$44.50		20 ft			<a href="#">PDF</a>
<a href="#">STP-EXT42H-006</a>	\$26.00		6 ft	STP-MTRACH-42xxxx		<a href="#">PDF</a>
<a href="#">STP-EXT42H-010</a>	\$31.00		10 ft			<a href="#">PDF</a>
<a href="#">STP-EXT42H-020</a>	\$44.50		20 ft			<a href="#">PDF</a>
<a href="#">STP-232RJ11-CBL*</a>	\$11.00	programming/ communication	10 ft	STP-DRV-4850, STP-DRV-80100	DB9 female / RJ11(6P4C)	<a href="#">PDF</a>
<a href="#">STP-232HD15-CBL-2**</a>	\$17.00	communication	6.6 ft	STP-DRV-4850, STP-DRV-80100 DL06, D2-250-1, D2-260	HD 15-pin male / RJ12 6-pin plug	n/a
<a href="#">STP-232RJ12-CBL-2**</a>	\$10.50	communication	6.6 ft	STP-DRV-4850, STP-DRV-80100 DL05, CLICK	RJ11 (6P4C) plug / RJ12 6-pin plug	n/a
<a href="#">STP-CBL-CA6</a>	\$19.00	control cable	6 ft	STP-MTRD-17038 STP-MTRD-17038E	11-pin / pigtail	<a href="#">PDF</a>
<a href="#">STP-CBL-CA10</a>	\$23.00	control cable	10 ft		11-pin / pigtail	<a href="#">PDF</a>
<a href="#">STP-CBL-CA20</a>	\$33.50	control cable	20 ft		11-pin / pigtail	<a href="#">PDF</a>
<a href="#">STP-CBL-EA6</a>	\$19.00	encoder cable	6 ft	STP-MTRD-xxxxE STP-MTRA-ENC1, STP-MTRA-ENC3 STP-MTRA-ENC5, STP-MTRA-ENC7 STP-MTRA-ENC11, STP-MTRA-ENC13 (for line driver encoders)	10-pin / pigtail	<a href="#">PDF</a>
<a href="#">STP-CBL-EA10</a>	\$23.00	encoder cable	10 ft		10-pin / pigtail	<a href="#">PDF</a>
<a href="#">STP-CBL-EA20</a>	\$33.50	encoder cable	20 ft		10-pin / pigtail	<a href="#">PDF</a>
<a href="#">STP-CBL-EB3</a>	\$31.00	encoder cable	3 ft	AMT112Q-V AMT112S-V (for both line driver and push-pull (totem) encoders)	17-pin / pigtail	<a href="#">PDF</a>
<a href="#">STP-CBL-EB6</a>	\$48.50	encoder cable	6 ft		17-pin / pigtail	<a href="#">PDF</a>
<a href="#">STP-CBL-EB10</a>	\$72.00	encoder cable	10 ft		17-pin / pigtail	<a href="#">PDF</a>
<a href="#">STP-CBL-EB20</a>	\$133.00	encoder cable	20 ft		17-pin / pigtail	<a href="#">PDF</a>
<a href="#">STP-CBL-ED6</a>	\$19.00	encoder cable	6 ft	STP-MTRA-ENC2, STP-MTRA-ENC4 STP-MTRA-ENC6, STP-MTRA-ENC8 STP-MTRA-ENC12, STP-MTRA-ENC14 (for push-pull (totem) encoders)	5-pin / pigtail	<a href="#">PDF</a>
<a href="#">STP-CBL-ED10</a>	\$23.50	encoder cable	10 ft		5-pin / pigtail	<a href="#">PDF</a>
<a href="#">STP-CBL-ED20</a>	\$34.50	encoder cable	20 ft		5-pin / pigtail	<a href="#">PDF</a>
<a href="#">STP-CON-1</a>	\$18.00	replacement connector kit	n/a	STP-DRV-4845 & -6575	-	n/a
<a href="#">STP-CON-2</a>	\$18.00	replacement connector kit	n/a	STP-DRV-4850 & 80100	-	n/a

\* Programming/communication cable STP-232RJ11-CBL is available for spare or replacement purposes.  
(One cable is included with each software programmable drive.)

\*\* Refer to the ZIPLinks Wiring Solutions section for complete information regarding cables STP-232HD15-CBL-2 and STP-232RJ12-CBL-2.

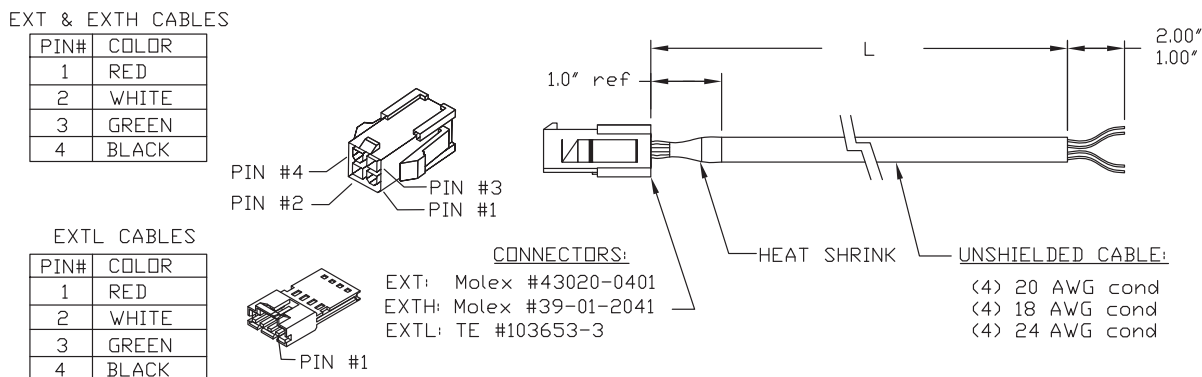


# Stepping System Cables

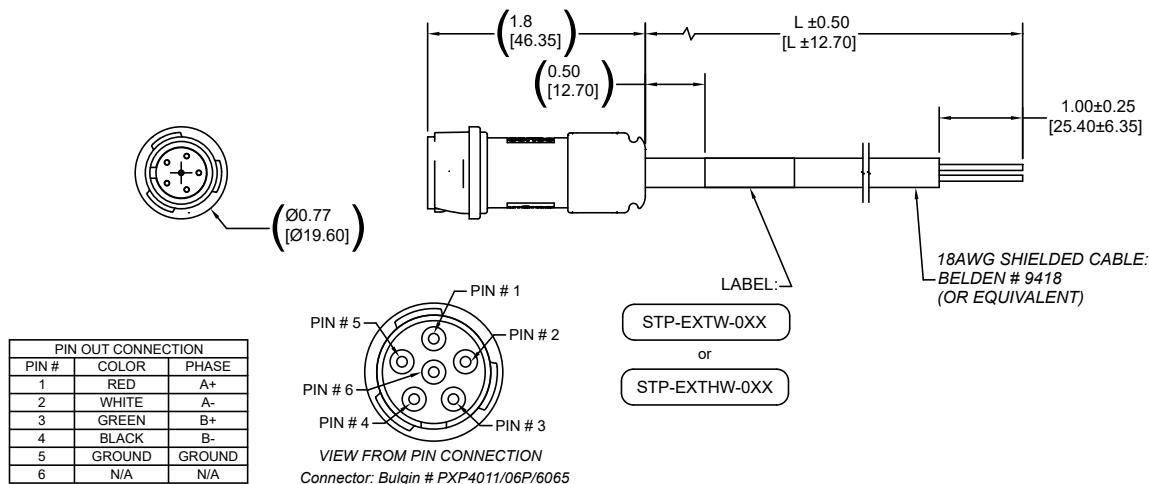
## SureStep® Cables, *continued*

SureStep Series – Stepping System Cables						
Cable	Price	Purpose	Length	Use With	Cable End Connectors	Drawing
<b>STP-CON-3</b>	\$36.50	replacement connector kit	n/a	STP-MTRD-xxxxR	-	n/a
<b>STP-CON-4</b>	\$18.00	replacement connector kit	n/a	STP-DRVA-RC-050A	-	n/a
<b>STP-CON-5</b>	\$18.00	replacement connector kit	n/a	STP-DRV-4830	-	<a href="#">PDF</a>
<b>STP-CON-6</b>	\$23.50	replacement connector kit	n/a	STP-DRVAC-24025	-	n/a
<b>STP-485DB9-CBL-2</b>	\$42.00	4-wire programming cable	6.5 ft	STP-MTRD-xxxxR	DB9 / Phoenix 5-conductor plug	<a href="#">PDF</a>

### STP-EXT(x)-0xx Extension Cable Wiring Diagram



### STP-EXTW-0xx and STP-EXTHW-0xx Extension Cable Wiring Diagram

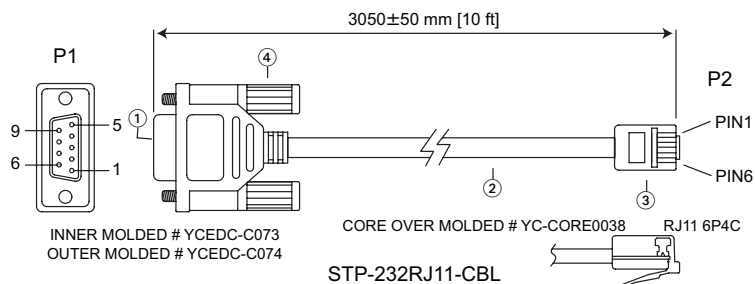




# Stepping System Cables

## SureStep® Cables, continued

### STP-232RJ11-CBL Programming Cable Wiring Diagram



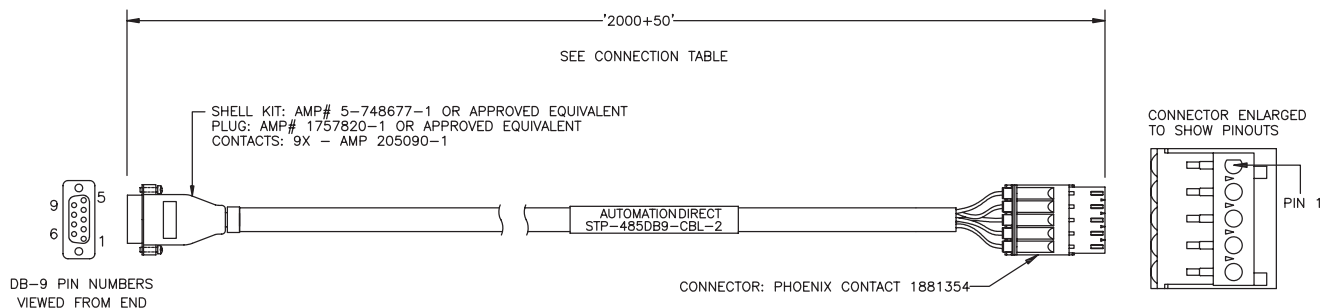
WIRE CONNECTION

(DB9) P1		P2 (RJ11 6P4C)
2	RX	TX
3	TX	RX
4	nc	nc
5	GND	GND

①	DB 9P FEMALE CONNECTOR SHELL: FRONT NICKEL BACK TIN INSULATOR COLOR: BLACK
②	CABLE: CAT-5 UTP 24AWG (7/0.203BA*2PR) 100MHz COLOR: BLACK OD: 4.5mm
③	RJ11 6P4C PLATED GOLD 3U"
④	SCREW: #4-40UNC PD40*175TNP COLOR: BLACK

### STP-485DB9-CBL-2 4-wire Programming Cable Wiring Diagram

CONNECTION CHART				
DB-9 CONN PIN	DB9 SIGNAL	WIRE COLOR	PHOENIX PIN	PHOENIX SIGNAL
2	TX+	RED	5	RX+
1	TX-	ORANGE	4	RX-
3	RX+	BLACK	3	TX+
4	RX-	BROWN	2	TX-
5	GND	YELLOW	1	GND
METAL HOUSING	SHIELD	SHIELD	N/C	N/C

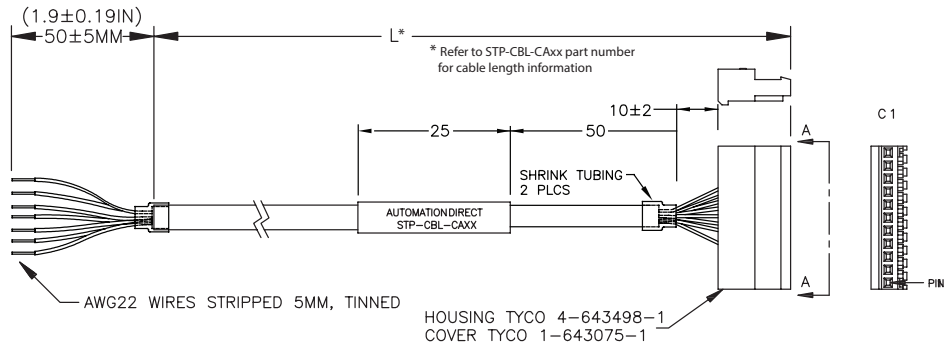


## SureStep® Cables, continued

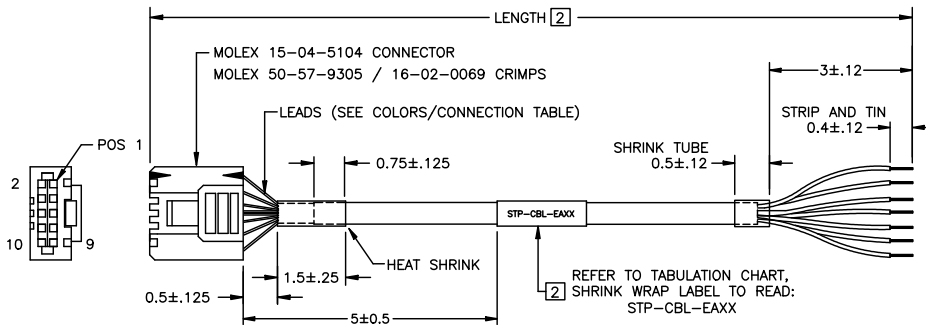
### STP-CBL-CAXx Control Cable Wiring Diagram

C 1		
PIN NO.	SIGNAL	WIRE COLOR
1	STEP+	ORANGE
2	STEP-	BROWN
3	DIR+	YELLOW
4	DIR-	GREEN
5	EN+	BLUE
6	EN-	TAN
7	OUT+	GRAY
8	OUT-	WHITE
9	N.C.	PINK
10	V-	BLACK
11	V+	RED
12	N/C	PURPLE - CUT

Note: For Rev A of this cable, STEP+ is Grey/Pink and EN- is Red/Blue



### STP-CBL-EAXx Encoder Cable Wiring Diagram



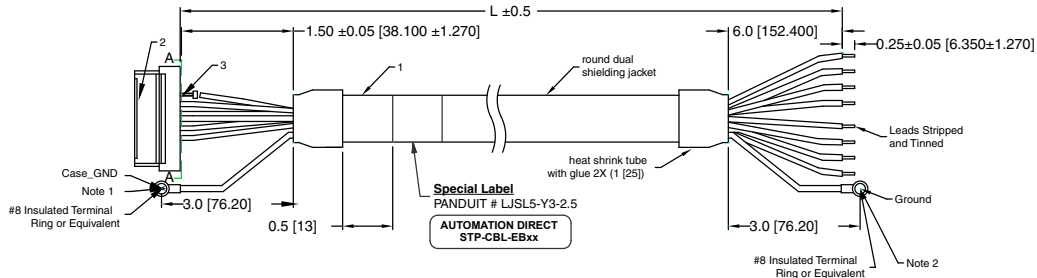
CONNECTION TABLE		
CONN	LEAD COLOR	SIGNAL
2	GREEN/WHITE	GROUND
7	GREEN	POWER+
3	ORANGE/WHITE	Z-
4	ORANGE	Z+
5	BLUE/WHITE	A-
6	BLUE	A+
9	BROWN/WHITE	B-
10	BROWN	B+
1	N/C	N/A
8	N/C	N/A

WIRE: 24AWG, CABLE: UL2464.

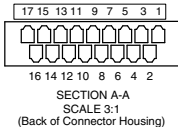
### STP-CBL-EBxx Encoder Cable Wiring Diagram

- NOTE:
- Case\_GND is connected internally to GND (BLACK/RED)
  - Ground connected internally to cable shielding-customer ref. only
  - Tolerance: ± 0.2" [5] unless otherwise specified
  - All materials must be ROHS compliant

TABLE INFORMATION	
CABLE NUMBER	CABLE LENGTH L
STP-CBL-EB3	3 Feet
STP-CBL-EB6	6 Feet
STP-CBL-EB10	10 Feet
STP-CBL-EB20	20 Feet



Connector Pinout			
#	Function	Primary Color	Stripe
4	GND	Black	Red
6	+5V	Red	Black
8	B+	Green	Black
9	B-	Black	Green
10	A+	White	Black
11	A-	Black	White
12	Z+	Blue	Black
13	Z-	Black	Blue



PARTS LIST			
#	PART	DESCRIPTION	QTY
1	CABLE	3M # 3600B/14	1
2	CONNECTOR	JAE # FI-W175	1
3	CRIMP PINS	JAE # FI-C3-A1-15000	8



# Stepping System Cables

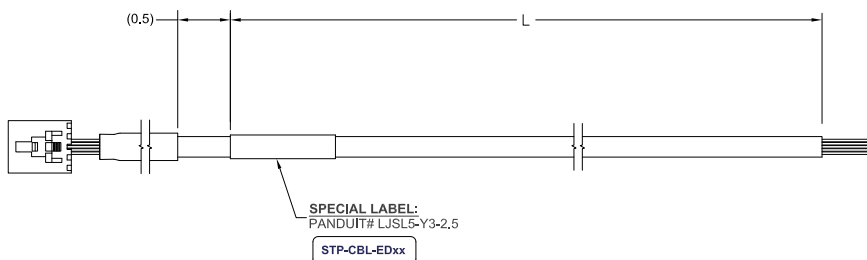
## SureStep® Cables, continued

### STP-CBL-EDxx Encoder Cable Wiring Diagram

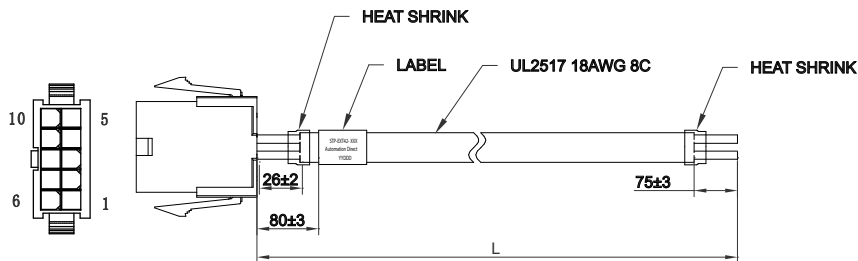
STP-EDxx CABLES

PIN#	Function	Color
1	Ground	Black
2	Index	Green
3	A Channel	White
4	+5VDC Power	Red
5	B Channel	Brown

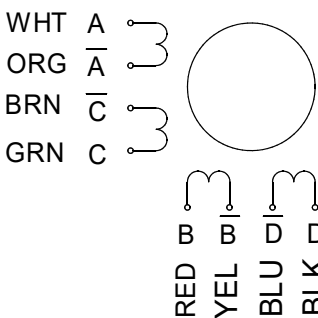
TABLE INFORMATION	
CABLE NUMBER	CABLE LENGTH L
STP-CBL-ED6	6 Feet
STP-CBL-ED10	10 Feet
STP-CBL-ED20	20 Feet



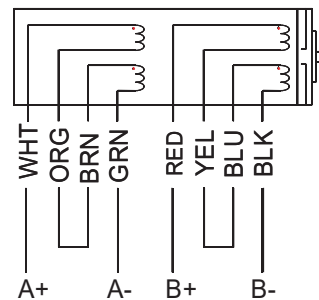
### STP-EXT42(H)-xxx Cable Wiring Diagram



Pin	Wire Description
1	A - White
2	$\bar{A}$ - Orange
3	C - Green
4	$\bar{C}$ - Brown
5	B - Red
6	$\bar{B}$ - Yellow
7	D - Black
8	$\bar{D}$ - Blue
9	GND - Drain wire



Bi-polar series



Bi-polar parallel

