

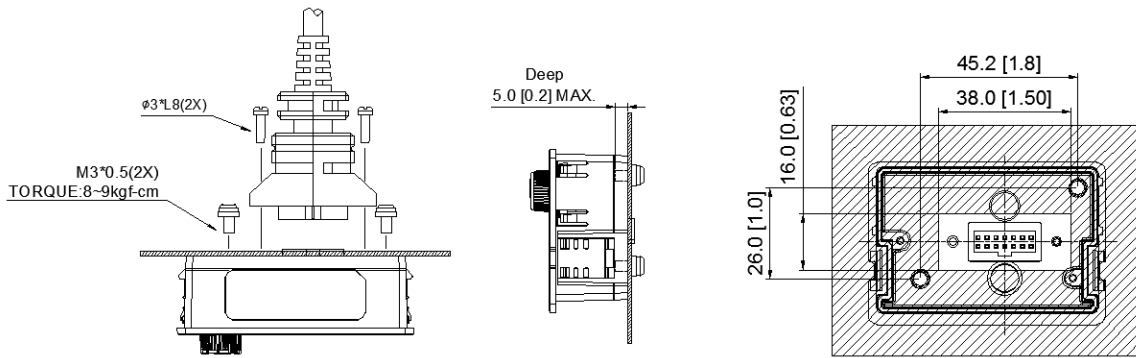
GS20(X) Optional Accessories – Keypad

Replacement Keypad

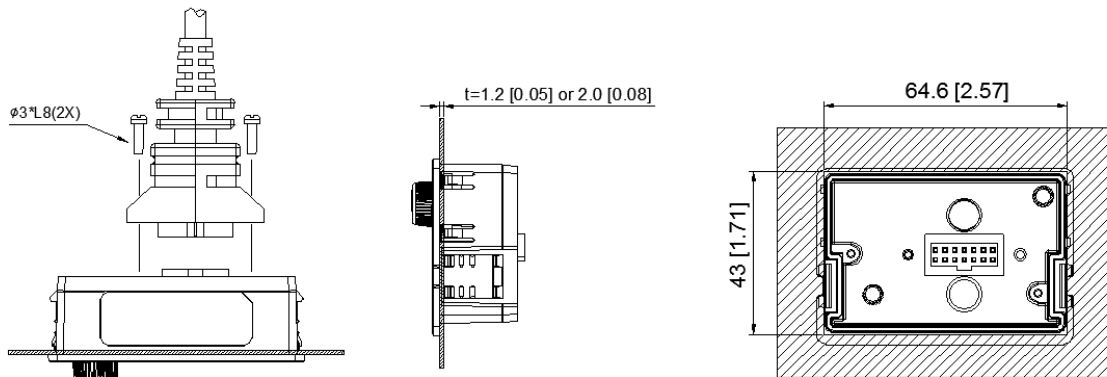
The GS20A-KPD can be used to replace the keypad that comes with each GS20 drive. The replacement keypad can be plugged directly into the drive (no screws needed) or mounted remotely using M3 screws and a keypad extension cable.



GS20-KPD Replacement Keypad			
Price	Part	Screw	Torque
\$25.00	GS20A-KPD	M3	8–9 kg·cm (6.947.81 lb-in.) [0.78–0.88 N·m]



Direct Mounting on Plate



Embedded Mounting in Plate

Keypad Extension Cables

The default GS20 keypad is removable and can be remote installed if desired. Use one of the cables below to connect the remotely installed keypad back to the GS20 drive.

GS20 Keypad Compatible Extension Cables		
Price	Cable	Length (m [ft])
\$17.50	GS-CBL2-1L	1 [3.28]
\$22.50	GS-CBL2-3L	3 [9.84]
\$27.00	GS-CBL2-5L	5 [16.4]