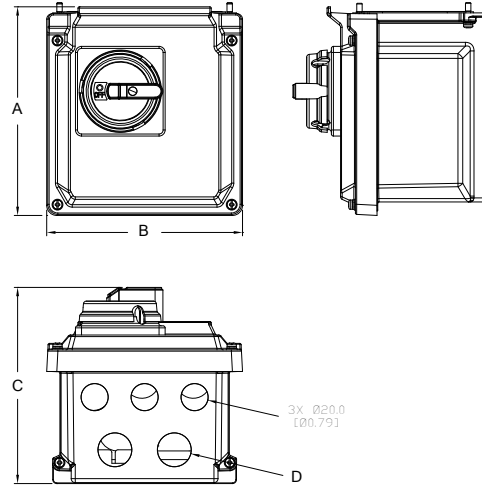


GS20(X) Series Optional Accessories – General

Disconnect Switch

The GS20XA-DSx series disconnect switch provides a local on/off disconnect switch that is easily mounted to the GS20(X) drive. This accessory provides an easy, quick, single hasp lockout point to isolate power to the drive. For more information and installation instructions, see the GS20(X) User Manual.

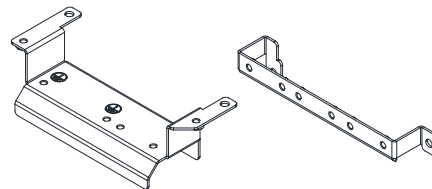


GS20X Disconnect Switch Selection						
Frame	Part Number	Price	Dimensions (mm [in])			
			A	B	C	D
A	GS20XA-DSA	\$122.00	154.5 [6.08]	145.0 [5.71]	145.2 [5.72]	2x Ø25.0 [Ø0.98]
B	GS20XA-DSB	\$127.00	164.5 [6.48]	165.0 [6.50]	152.5 [6.01]	2x Ø32.4 [Ø1.28]
C	GS20XA-DSC	\$211.00				

Earthing Plate

Earthing plates are available for use with shielded cable and your GS20X drive. For GS20 drives, please use EMC shield plates. Each earthing plate is compatible with all GS20X drives of that frame size. For more information and installation instructions, see the GS20(X) User Manual.

Earthing Plate Selection			
Drive Series	Frame	Earthing Plate Model	Price
GS20X	A	GS20XA-EPA	\$38.50
GS20X	B	GS20XA-EPB	\$44.00
GS20X	C	GS20XA-EPC	\$44.50



Example Earthing Plate - GS20XA-EPA