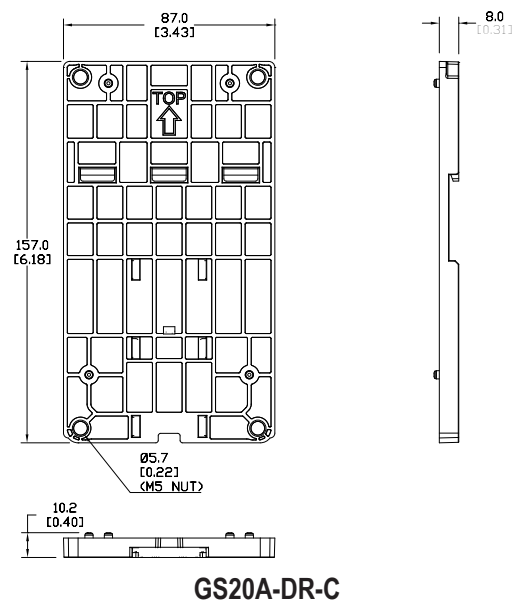
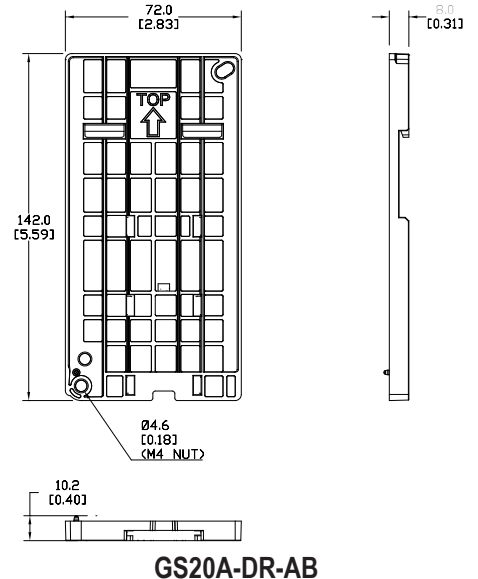


GS10/GS20 Series Optional Accessories – Mounting Kits

DIN Rail Mounting

Frame A, B, and C GS10 and GS20 drives can be DIN rail mounted using a DIN rail mounting kit. One kit is used for A and B frame drives, while a second kit is used for C frame drives. Please see the your GSx series User Manual for additional information and installation instructions.

GS20 DIN Rail Mounting Compatibility				
Drive Model		Frame	DIN Rail Kit	Price
GS10 Series	GS20 Series			
GS11N-10P2	GS21-10P2	A1	GS20A-DR-AB	\$5.00
GS11N-20P2	GS21-20P2	A1		
GS13N-20P2	GS23-20P2	A1		
GS13N-20P5	GS23-20P5	A2		
GS11N-10P5	GS21-10P5	A3		
GS11N-20P5	GS21-20P5	A3		
GS13N-40P5	GS23-40P5	A4		
GS13N-21P0	GS23-21P0	A5		
-	GS23-41P0	A5		
-	GS23-51P0	A5		
GS13N-41P0	-	A6		
GS13N-22P0	GS23-22P0	B1		
GS13N-42P0	GS23-42P0	B1		
-	GS23-52P0	B1		
GS11N-21P0	GS21-21P0	B2	GS20A-DR-C	\$5.00
GS11N-22P0	GS21-11P0	C1		
GS11N-23P0	GS21-22P0	C1		
GS13N-23P0	GS21-23P0	C1		
GS13N-25P0	GS23-23P0	C1		
GS11N-11P0	GS23-25P0	C1		
GS13N-43P0	GS23-43P0	C1		
GS13N-45P0	GS23-45P0	C1		
-	GS23-53P0	C1		
-	GS23-55P0	C1		

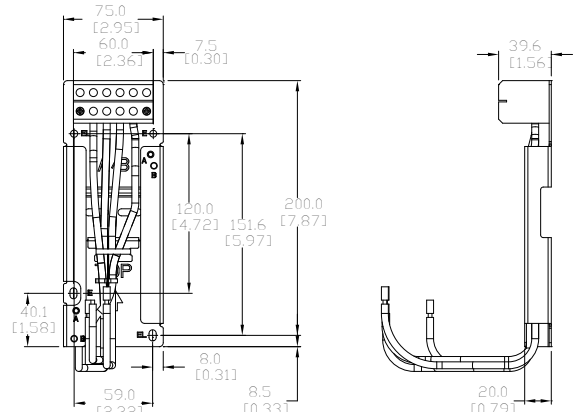


GS10/GS20 Series Optional Accessories – Mounting Kits

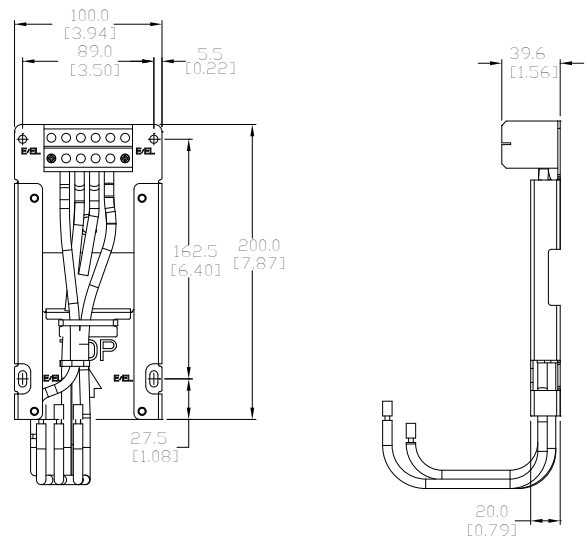
Mounting Adapter Plate

The mounting adapter plate can be used to change the wiring orientation for the GS10 and GS20 series and provides flexibility for installation. This accessory changes the wiring method from the “bottom-mains input/ bottom-motor output” to the “top-mains input/bottom-motor output” for GS10/GS20. Use the table below to select the correct mounting plate for your drive. Please see your GSx series User Manual for additional information and installation instructions.

GS10 and GS20 Mounting Adapter Compatibility				
Drive Model		Frame	Mounting Plate	Price
GS10 Series	GS20 Series			
GS11N-10P2	GS21-10P2	A1	GS20A-MP-AB	\$44.00
GS11N-20P2	GS21-20P2	A1		
GS13N-20P2	GS23-20P2	A1		
GS13N-20P5	GS23-20P5	A2		
GS11N-10P5	GS21-10P5	A3		
GS11N-20P5	GS21-20P5	A3		
GS13N-40P5	GS23-40P5	A4		
GS13N-21P0	GS23-21P0	A5		
-	GS23-41P0	A5		
-	GS23-51P0	A5		
GS13N-41P0	-	A6		
GS13N-22P0	GS23-22P0	B1		
GS13N-42P0	GS23-42P0	B1		
-	GS23-52P0	B1		
GS11N-21P0	GS21-21P0	B2		
GS11N-22P0	GS21-11P0	C1		
GS11N-23P0	GS21-22P0	C1		
GS13N-23P0	GS21-23P0	C1		
GS13N-25P0	GS23-23P0	C1		
GS11N-11P0	GS23-25P0	C1		
GS13N-43P0	GS23-43P0	C1		
-	GS23-53P0	C1		
-	GS23-55P0	C1		



GS20A-MP-AB



GS20A-MP-C