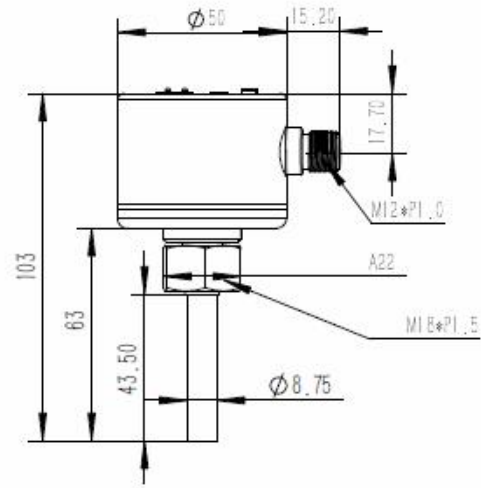
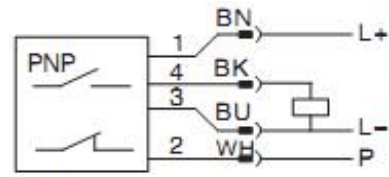
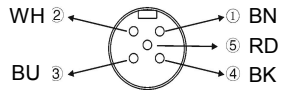


| | |
|--|---|
| <p>FL6001</p> <p>Smart Flow Sensor</p> <p>Stainless Steel Housing</p> <p>Seal Plus structure</p> <p>Connection:</p> <p>Internal thread M18 x 1.5</p> <p>Programmable</p> <p>M12 socket</p> |  |
| Applications | Liquid and gas |
| Electric design | PNP NO/NC |
| Supply voltage[V] | 20...36 DC |
| Output | NO  NC  |
| Max. overload current[mA] | 400 |
| short-circuit protection | Yes |
| Reverse polarity protection | Yes |
| Overload protection | Yes |
| Voltage drop[V] | 2.5 |
| Current consumption[mA] | <80 |
| Max. temperature drift[K/min] | 300 |
| Pressure resistance[bar] | 300 |
| Liquid setting range[cm/S] | 3...300 |
| Max sensitivity of range for liquid[cm/S] | 3...60 |
| Gas setting range[cm/S] | 200...3000 |
| Max sensitivity of range for gas[cm/S] | 200...800 |
| Startup time[s] | < 8 |
| Output response time[s] | < 2 |
| Ambient temperature[°C/°F] | -25...80/-13...176 |
| Environment temperature[°C/°F] | -25...80/-13...176 |
| Storage temperature[°C/°F] | -25...100/-13...212 |
| Protection/Enclosure Rating | IP68 |
| ESD EN61000-4-2 | 6kV-CD / 8kV-AD |
| EFT EN61000-4-4 | 2kV |
| Surge immunity test EN61000-4-5 | 1kV |
| Shock resistance[g] | 50 |
| Vibration resistance[g] | 20 |
| Upper cover material | Stainless steel316L |
| Lower cover material | Stainless steel 304 |
| Probe material/Wetted Parts | Stainless steel 316L |
| Connection | M12 socket |

Dimensions[mm]



Wiring
Core color



NO/NC

NO or NC setting via the menu

ema

ema electronics

website: www.ema-electronic.com

e-mail: sales@ema-electronic.com