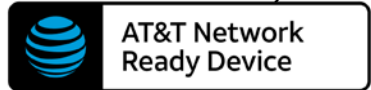


# StrideLinX Remote Access Solution

## SE-SL Series Industrial VPN Routers



Model SE-SL3011-4G Only



StrideLinX Industrial VPN Router Models				
Part Number	ListPrice	Gigabit Ethernet	WiFi	4G LTE (2)
SE-SL3001 (1)	\$369.00	✓		
SE-SL3011	\$460.00	✓		
SE-SL3011-WF	\$591.00	✓	✓	
SE-SL3011-4G	\$660.00	✓		✓ (AT&T)
SE-SL3011-4GG	\$685.00	✓		✓ (Global)

(1) SE-SL3001 does not support data logging or notifications.

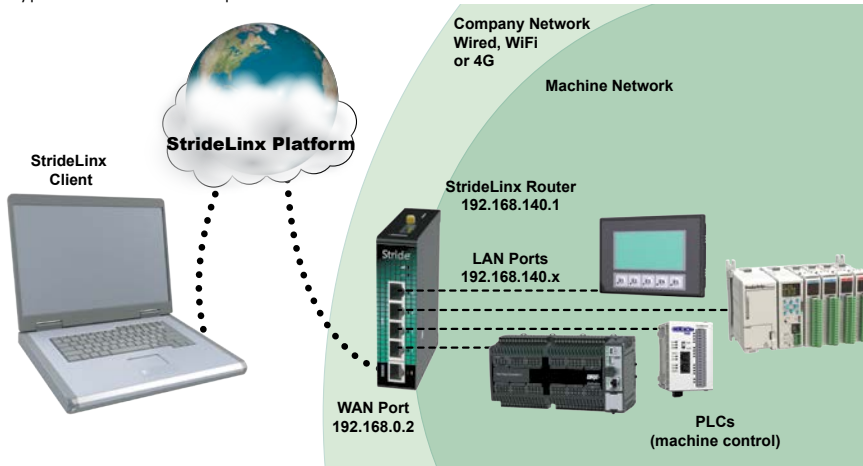
(2) SIM card and data plan compatible with the frequencies and bands supported by the device and identified in the spec table are required for 4G LTE operation from the carrier. An M2M SIM card is configured with an amount of data and a duration of validity at the time of purchase.

Antennas required for WiFi and 4G models and must remain connected during operation.

**WARNING: DO NOT insert or remove the SIM card when power is applied to the router.**

The StrideLinX Platform is a secure and powerful VPN platform based on a worldwide network of servers. It is focused on delivering and enhancing innovative remote service.

A typical StrideLinX setup is illustrated as follows.



Please visit the [StrideLinX](http://StrideLinX) page at AutomationDirect.com for an overview of the StrideLinX Remote Access Solution.

T-Mobile compatible with both LTE routers

### Key features

- Gigabit port speed
- Wired, WiFi, or 4G LTE WAN connectivity
- Easy, secure VPN networking
- Available Notification and Data Logging service
- Available Service Level Agreement (SLA)

# StrideLinx Remote Access Solution

## SE-SL Series Industrial VPN Routers

Power Details	
<b>Input Voltage</b>	Class 2 LPS Power Supply, 12-24 VDC
<b>Maximum Input Power</b>	10W
<b>Maximum Input Current</b>	2A
<b>Internal Voltage Protection</b>	29V max
<b>Reverse Polarity Protection</b>	Yes
<b>Isolation</b>	1.5 kV

General Specifications	
<b>USB</b>	USB 2.0 (for configuration only)
<b>Processor</b>	MIPS 800MHz
<b>Digital Input for Local Control</b>	Yes
<b>Operating Temperature Range</b>	-20°C to +65°C [-4°F to +149°F]
<b>Storage Temperature Range</b>	-20°C to +65°C [-4°F to +149°F]
<b>Relative Humidity</b>	10 to 95% non-condensing
<b>Operating Altitude</b>	Up to maximum 2000m
<b>Storage Altitude</b>	Up to maximum 3000m
<b>Environmental Air</b>	For use in Pollution Degree 2 Environment. No corrosive gases permitted.
<b>EMI</b>	FCC CFR47 Part 15, EN55022/CISPR22, Class B
<b>EMS</b>	IEC61000-4-2 (ESD): ± 8kV (contact), ± 15kV (air) IEC61000-4-3 (RS): 10V/m (80MHz ~ 2GHz) IEC61000-4-4 (EFT): Power Port ± 4kV; Data Port: ± 2kV IEC61000-4-5 (Surge): Power Port: ± 2kV/DM, ± 4kV/CM; Data Port ± 2kV IEC61000-4-6 (CS): 10V (150kHz ~ 80MHz)
<b>RoHS and WEEE</b>	RoHS (Pb free) and WEEE compliant
<b>Packaging and Protection</b>	Metal case, IP20
<b>Mounting</b>	DIN rail
<b>Weight</b>	270–310 gram
<b>Certification</b>	CE, cULus, RoHS, REACH, AT&T (SE-SL3011-4G), FCC
<b>Warranty</b>	2 years
<b>Agency Approvals</b>	UL/cUL 60950-1, CE

WiFi Specifications (P/N SE-SL3011-WF Only)	
<b>WiFi IEEE 802.11 Version</b>	b/g/n
<b>WiFi Modes</b>	Station (Client) Mode and Access Point
<b>Speed</b>	72 Mbps
<b>Antenna Connection</b>	RP-SMA plug (male)
<b>Antenna Connector Torque</b>	3–5 lb-in [0.3–0.6 N-m]
<b>FCC ID</b>	XPYLILYW1

Ethernet Interface	
<b>Ethernet ports</b>	Five GbE (4x LAN, 1x WAN)
<b>Port Type</b>	Shielded RJ45
<b>Auto-Crossover</b>	Yes, allows you to use straight-through or crossover wired cables
<b>Auto-Sensing Operation</b>	Yes, full and half duplex
<b>Auto-Negotiating Speed</b>	Yes
<b>Flow Control</b>	Automatic
<b>Operating Mode</b>	Store and forward wire speed switching, non-blocking
<b>Devices Supported</b>	All IEEE 802.3 compliant devices are supported
<b>Protection</b>	Built-in 1.5 kV magnetic isolation
<b>Cable Requirements</b>	Twisted pair (Cat5e or better) (shielded recommended)
<b>Max. Cable Distance</b>	100 meters

4G LTE Specifications (P/N SE-SL3011-4G Only)	
<b>Protocols and Frequencies (AT&amp;T)</b>	LTE-FDD - B2, B4, B12 WCDMA - B2, B4, B5
<b>Speed</b>	LTE-FDD - Max. 100 Mbps (DL)/Max. 50 Mbps (UL) WCDMA - Max. 384 kbps (DL)/Max. 384 kbps (UL)
<b>Antenna Connection</b>	Two (2) SMA plugs (male)
<b>Antenna Connector Torque</b>	3–5 lb-in [0.3–0.6 N-m]
<b>SIM size</b>	Standard SIM (2FF)
<b>FCC ID</b>	XMR201605EC25A

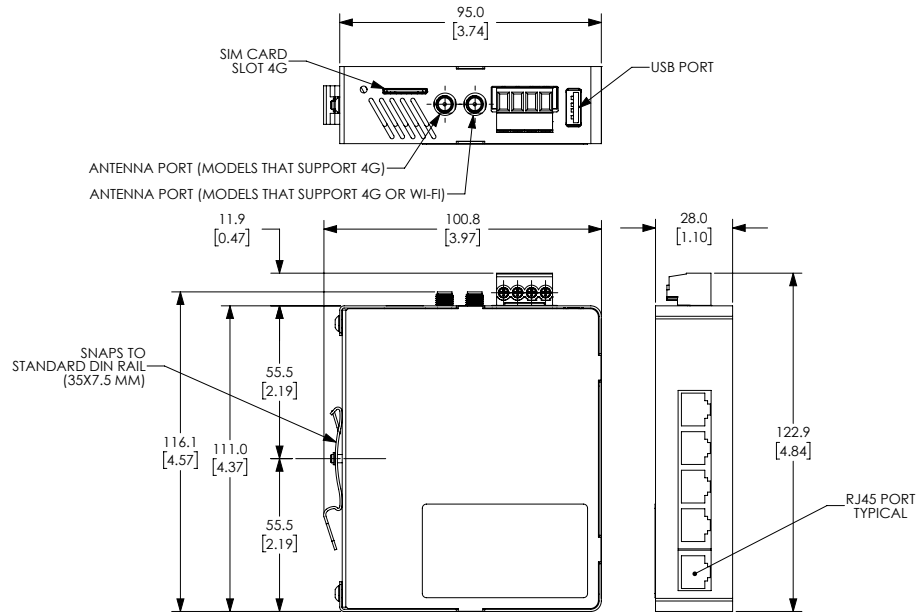
4G LTE Specifications (P/N SE-SL3011-4GG Only)	
<b>Protocols and Frequencies (Global)</b>	LTE FDD: B1,B2,B3,B4,B5,B7,B8,B12,B13,B18,B19, B20,B25,B26,B28 LTE TDD: B38,B39,B40,B41 WCDMA: B1,B2,B4,B5,B6,B8,B19 GSM: B2,B3,B5,B8 GPRS: B2,B3,B5,B8
<b>Speed</b>	LTE-FDD: Max. 150 Mbps (DL)/Max. 50 Mbps (UL) LTE-TDD: Max. 130 Mbps (DL)/Max. 30 Mbps (UL) WCDMA: Max. 384 kbps (DL)/Max. 384 kbps (UL) GSM (EDGE): Max. 296 kbps (DL)/Max. 236.8 kbps (UL) GPRS: Max 107 kbps (DL)/Max. 85.6 kbps (UL)
<b>Antenna Connection</b>	Two (2) SMA plugs (male)
<b>Antenna Connector Torque</b>	3–5 lb-in [0.3–0.6 N-m]
<b>SIM size</b>	Standard SIM (2FF)
<b>FCC ID</b>	XMR201903EG25G

# StrideLinx Remote Access Solution

## SE-SL Series Industrial VPN Routers

### Dimensions

mm [inches]



See our website: [www.AutomationDirect.com](http://www.AutomationDirect.com) for complete engineering drawings.

# StrideLinx Remote Access Solution

## Cellular Antennas for SE-SL3011-4G and SE-SL3011-4GG Routers



**SE-ANT110 \$10.00**

STRIDE whip/tilt LTE antenna, connector mount.



**SE-ANT130 \$26.50**

STRIDE whip/straight LTE antenna, magnetic base mount, 9.8ft/3m cable length.



**SE-ANT150 \$37.00**

STRIDE dome LTE antenna, IP67, panel mount, 9.8ft/3m cable length.

4G LTE Antenna Specifications			
	<b>SE-ANT110</b>	<b>SE-ANT130*</b>	<b>SE-ANT150</b>
<b>Price</b>	\$10.00	\$26.50	\$37.00
<b>Fits</b>	SE-SL3011-4G and SE-SL3011-4GG		
<b>Antenna Connector</b>	SMA (M)		
<b>Application</b>	LTE, CDMA, GSM, HSPA, UMTS, GPRS		
<b>Impedance</b>	50Ω		
<b>Antenna Type</b>	whip, tilt	whip, straight	dome
<b>Cable Length</b>	N/A	3m [9.8 ft]	3m [9.8 ft]
<b>Frequency Range</b>	700–960MHz / 1.71–3.8 GHz	700–960MHz / 1.71–3.5 GHz	700–960MHz / 1.71–2.7 GHz
<b>Gain</b>	-3.0 dBi / 0.9 dBi	-2.5dBi / 0.1dBi	1.2 dBi / 3.2 dBi
<b>Height</b>	2.84 in	13 in	1.89 in
<b>IP Rating</b>	–	–	IP67
<b>Maximum Power</b>	10W	50W	5W
<b>Mounting Screw Torque</b>	NA	NA	2.94 N-m

\* Gains listed are based on the antenna being mounted on a suitable ground plane.

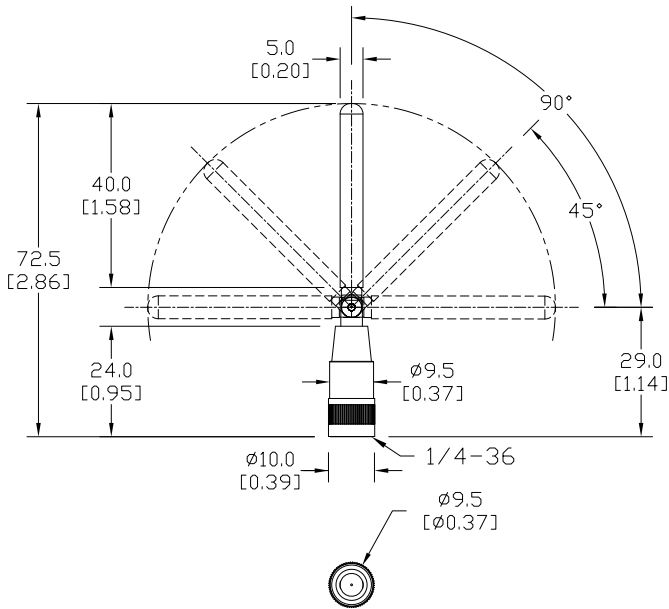
# StrideLinx Remote Access Solution

## Cellular Antennas for SE-SL3011-4G and SE-SL3011-4GG Routers

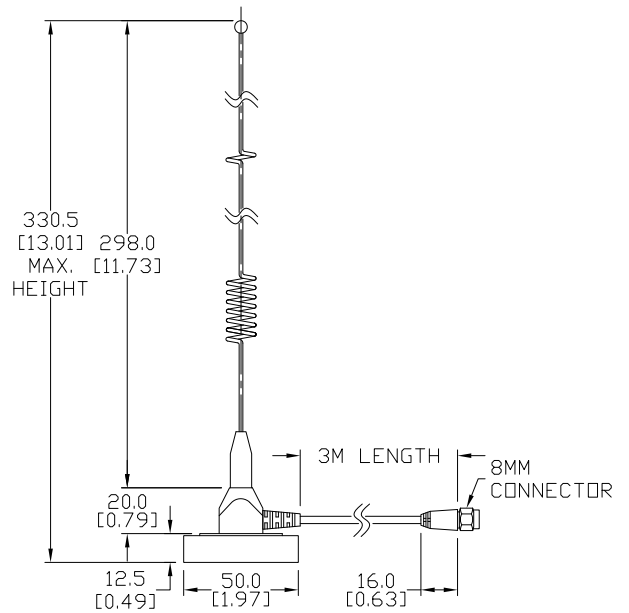
### Dimensions

mm [inches]

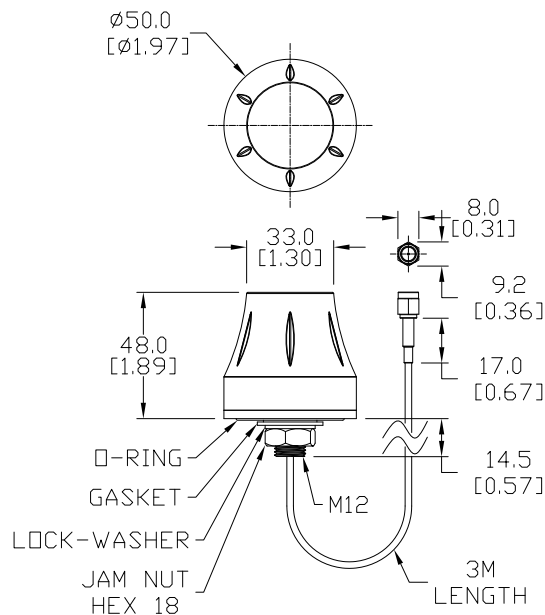
#### SE-ANT110:



#### SE-ANT130:



#### SE-ANT150:



See our website: [www.AutomationDirect.com](http://www.AutomationDirect.com) for complete engineering drawings.

# StrideLinx Remote Access Solution

## 2.4GHz WiFi Antennas for SE-SL3011-WF Routers (1 antenna required)



**SE-ANT210 \$9.00**

STRIDE whip/straight 2.4 GHz WiFi antenna, IP65, connector mount.



**SE-ANT250 \$42.50**

STRIDE dome 2.4 GHz WiFi antenna, IP67, panel mount, 9.8ft/3m cable length.

802.11 b/g/n 2.4 GHz WiFi Antenna Specifications		
	<i>SE-ANT210</i>	<i>SE-ANT250</i>
<b>Price</b>	\$9.00	\$42.50
<b>Fits</b>	SE-SL3011-WF	
<b>Antenna Connector</b>	RP-SMA (M)	
<b>Application</b>	802.11 b/g/n	
<b>Impedance</b>	50Ω	
<b>Antenna Type</b>	whip, straight	dome
<b>Cable Length</b>	N/A	3m [9.8 ft]
<b>Frequency Range</b>	2.4-2.5 GHz	2.4-2.5 GHz
<b>Gain</b>	1.8 dBi	1.5 dBi
<b>Height</b>	1.2 in	1.89 in
<b>IP Rating</b>	IP65	IP67
<b>Maximum Power</b>	1W	5W
<b>Mounting Screw Torque</b>	NA	2.94 N·m

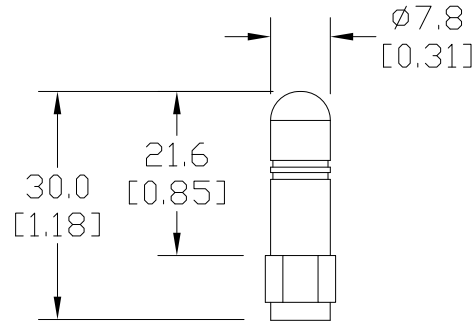
# StrideLinx Remote Access Solution

## 2.4GHz WiFi Antennas for SE-SL3011-WF Routers

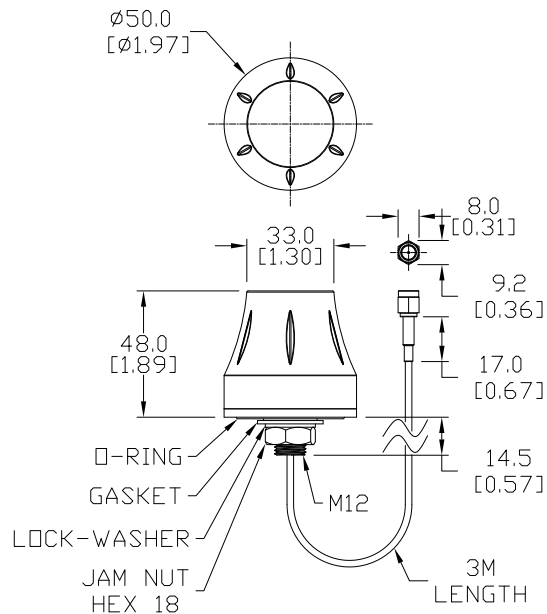
### Dimensions

mm [inches]

#### SE-ANT210:



#### SE-ANT250:



See our website: [www.AutomationDirect.com](http://www.AutomationDirect.com) for complete engineering drawings.

# StrideLinx Remote Access Solution

## Add-on Subscriptions and Licenses

These subscriptions and licenses provide added services to your StrideLinx remote access. These are not needed for the basic function of the VPN remote access, but can be added to enhance the value of the platform to you and your customers.

All subscriptions and licenses are available at [www.StrideLinx.com](http://www.StrideLinx.com). Log into your account for all subscription or license purchases, upgrades, and cancellations.

Most subscriptions can be purchased on a recurring monthly or annual basis. Annual purchases receive a free month of subscription. Premium Branding Licenses and Cloud Notify Licenses are a one-time purchase.

StrideLinx Add-on Subscriptions and Licenses			
Part #	ListPrice	Description	Features
SE-SL001	\$60.00/mo.	Service Level Agreement (SLA)	99.6% availability, 4-hour max consecutive downtime. For use with one StrideLinx company.
SE-SL010	\$15.00/mo.	Cloud Logging, Standard Data logging enabled at 1,000 data samples per hour per router	Unlimited cloud storage for up to 7 years with active subscription, unlimited real time and user configurable dashboards, unlimited data reports, unlimited data tags, Modbus, EtherNet/IP, Siemens S7 and OPC UA protocol support  For use with one StrideLinx company.  Data logging traffic does not affect monthly data usage (5 GB free or Data Top-up subscriptions).
SE-SL011	\$35.00/mo.	Cloud Logging, Professional Data logging enabled at 5,000 data samples per hour per router	
SE-SL012	\$85.00/mo.	Cloud Logging, High Resolution Data logging enabled at 20,000 data samples per hour per router	
SE-SL020	\$210.00 (one time)	Cloud Notify License	Prioritized push and email notifications for lost device connections and customized trigger conditions. Supports Modbus, EtherNet/IP, Siemens S7 and OPC-UA protocols. For use with one StrideLinx router.
SE-SL030	\$35.00/mo.	Data Top-up, 5GB	Additional monthly data traffic. For use with one StrideLinx company.
SE-SL031	\$95.00/mo.	Data Top-up, 15GB	
SE-SL032	\$190.00/mo.	Data Top-up, 50GB	
SE-SL040	\$1,850.00 (one time)	Premium Branding License	Includes rebranded StrideLinx platform with custom company domain and contact/support information. For use with one StrideLinx company.



**WARNING: Data collected through data logging is only stored for as long as you maintain your paid subscription. ALL data will be lost if your subscription lapses. Data for a specific device will be lost if a subscription is removed from that device. Data is also only stored for a maximum of 7 years. If data older than 7 years is important, please archive your data locally before the 7-year limit is reached.**