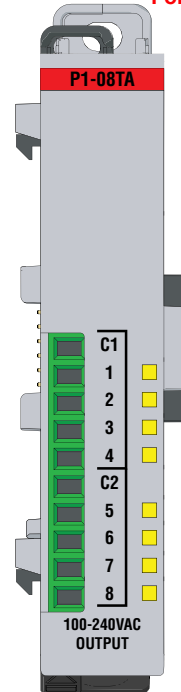


Please note: \$US prices shown
 For current \$AUD visit www.directautomation.com.au

P1-08TA AC Output

The P1-08TA AC Output Module provides eight 100–240 VAC outputs for use with the Productivity1000 system.



Output Specifications	1
Module Installation	2
QR Code	2
Wiring Options	3
Schematic & Wiring Diagram	3
General Specifications	4
Terminal Block Specifications	4
Warning	4

Output Specifications	
Outputs per Module	8
Rated Voltage	100–240 VAC
Operating Voltage Range	80–288 VAC
AC Frequency	47–63 Hz
Maximum Output Current @ Temp	0.5 A / point, 4A / common @ 55°C 0.3 A / point, 2.4 A / common @ 60°C
Minimum Load Current	10mA
Maximum Leakage Current	4mA @ 264VAC
On Voltage Drop	1.5 VAC @ > 50mA 4.0 VAC @ < 50mA
Maximum Inrush Current	6A for 10ms
OFF to ON, ON to OFF Response	1ms + 1/2 cycle
Status Indicators	Logic Side (8 points)
Commons per Module*	2 Isolated (4 points/common) @ 120VAC 2 Non-Isolated @ 240VAC
Maximum Applicable Fuse	8A

*C1 and C2 must be jumped together by an external wire during 240VAC applications.

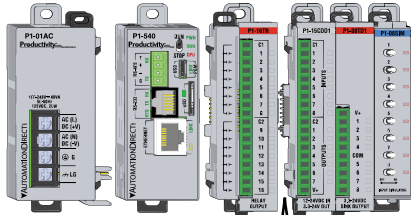
Terminal Block sold separately, (see wiring options on page 3).
 Warranty: Thirty-day money-back guarantee. Two-year limited replacement (See www.productivity1000.com for details).

Module Installation

QR Code

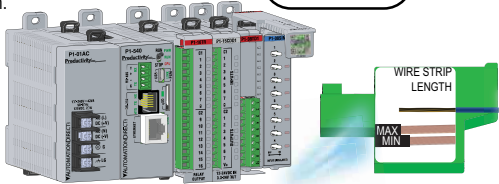
WARNING: Do not add or remove modules with field power applied.

Step One: With latch in "locked" position, align connectors on the side of each module and stack together by pressing together. Click indicates lock is engaged.

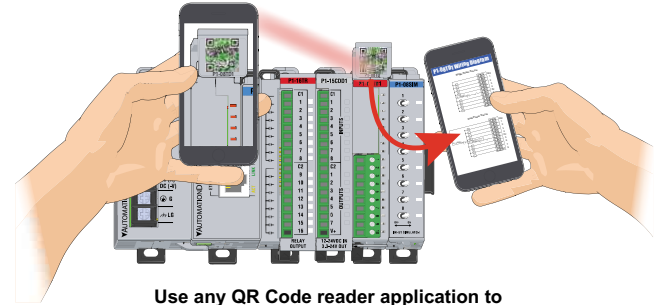
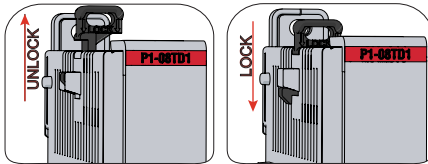


Step Two: Attach field wiring using the removable terminal block or ZIPLink wiring system.

Check all latches are secure after modules are connected.



Step Three: To unstack modules, pull locking latch up into the unlocked position and then pull modules apart.

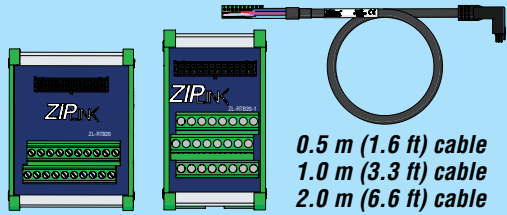


Use any QR Code reader application to display the module's product insert.

P1-08TA Schematic

Wiring Options

1 ZIPLink Feed Through Modules and Cables¹



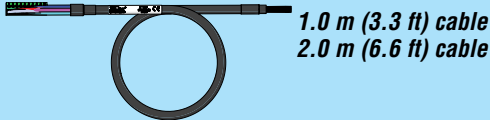
ZIPLINK
AUTOMATIONDIRECT

ZL-RTB20
ZL-RTB20-1

ZL-P1-CBL10
ZL-P1-CBL10-1
ZL-P1-CBL10-2

0.5 m (1.6 ft) cable
1.0 m (3.3 ft) cable
2.0 m (6.6 ft) cable

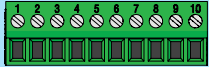
2 Terminal Block with pigtail cable



ZL-P1-CBL10-1P
ZL-P1-CBL10-2P

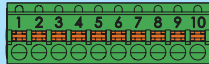
1.0 m (3.3 ft) cable
2.0 m (6.6 ft) cable

3 Screw Terminal Block only



P1-10RTB
(Quantity 1)

4 Spring Clamp Terminal Block only



P1-10RTB-1
(Quantity 1)

5 Accessories²

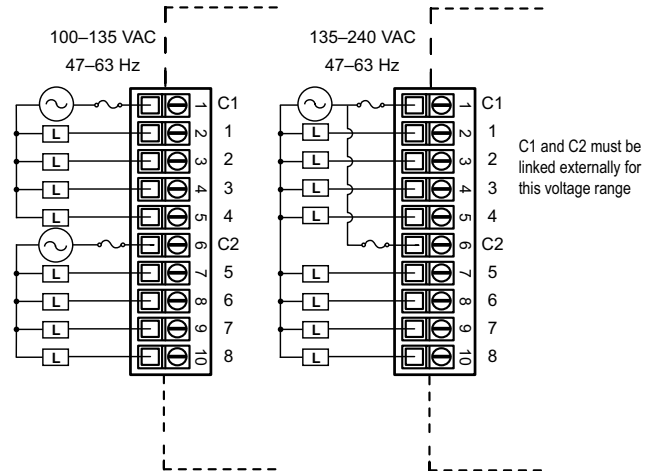
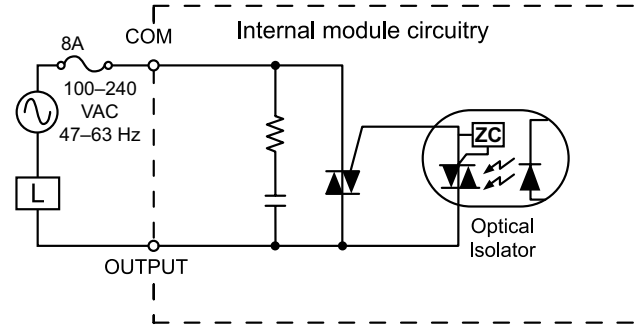


ZL-RTB-COM

TW-SD-SL-1

TW-SD-MSL-1

1. Cable + ZIPLink Module = Complete System
2. ZL-RTB-COM provides a common connection point for power or ground



WARNING: To minimize the risk of potential safety problems, you should follow all applicable local and national codes that regulate the installation and operation of your equipment. These codes vary from area to area and it is your responsibility to determine which codes should be followed, and to verify that the equipment, installation, and operation are in compliance with the latest revision of these codes.

Equipment damage or serious injury to personnel can result from the failure to follow all applicable codes and standards. We do not guarantee the products described in this publication are suitable for your particular application, nor do we assume any responsibility for your product design, installation, or operation.

If you have any questions concerning the installation or operation of this equipment, or if you need additional information, please call Technical Support at 770-844-4200.

This publication is based on information that was available at the time it was printed. At AutomationDirect.com® we constantly strive to improve our products and services, so we reserve the right to make changes to the products and/or publications at any time without notice and without any obligation. This publication may also discuss features that may not be available in certain revisions of the product.

Terminal Block Specifications

Part Number	P1-10RTB	P1-10RTB-1
Positions	10 Screw Terminals	10 Spring Clamp Terminals
Wire Range	30–16 AWG (0.051–1.31 mm ²) Solid / Stranded Conductor 3/64 in (1.2 mm) Insulation Max. 1/4 in (6–7 mm) Strip Length	28–16 AWG (0.081–1.31 mm ²) Solid / Stranded Conductor 3/64 in (1.2 mm) Insulation Max. 19/64 in (7–8 mm) Strip Length
Conductors	*USE COPPER CONDUCTORS, 75°C* or equivalent.	
Screw Driver	0.1 in (2.5 mm) Maximum*	
Screw Size	M2	N/A
Screw Torque	2.5 lb-in (0.28 N-m)	N/A

*Recommended Screw Driver TW-SD-MSL-1

General Specifications

Operating Temperature	0° to 60°C (32° to 140°F)
Storage Temperature	-20° to 70°C (-4° to 158°F)
Humidity	5 to 95% (non-condensing)
Altitude	2,000 meters max
Pollution Degree	2
Environmental Air	No corrosive gases permitted
Vibration	IEC60068-2-6 (Test Fc)
Shock	IEC60068-2-27 (Test Ea)
Overvoltage Category	II
Field to Logic Side Isolation	1800VAC applied for 1 second
Insulation Resistance	>10MΩ @ 500 VDC
Heat Dissipation	1400mW
Enclosure Type	Open Equipment
Module Location	Any I/O position in a Productivity1000 System.
Field Wiring	Use ZIP Link Wiring System or removable terminal block (sold separately). See "Wiring Options" on page 3.
EU Directive	See the "EU Directive" topic in the Productivity Suite Help File. Information can also be obtained at: www.productivity1000.com
Connector Type (sold separately)	10-Position Removable Terminal Block
Weight	71g (2.5 oz)
Agency Approvals	UL 61010-1 and UL 61010-2-201 File E139594, Canada & USA CE (EN 61131-2 EMC, EN 61010-1 and EN 61010-2-201 Safety)*

*See CE Declaration of Conformance for details.

Document Name	Edition/Revision	Date
P1-08TA-DS	2nd Edition, Rev. A	1/21/2022

Copyright 2018, AutomationDirect.com Incorporated/All Rights Reserved Worldwide