

单向节流阀

One-way Throttle Valve



订购代号/Ordering Code

LQ 100400

公司代号
Company Code

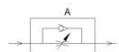
系列代码
Series No
100400:
100600:

RE - 01

系列代码
Series Code

接管口径
Joint Pipe Bore
01:G1/8"
02:G1/4"
03:G3/8"
04:G1/2"

图形符号/Graphic symbol



LQ100400



LQ100600



RE-03



RE-02

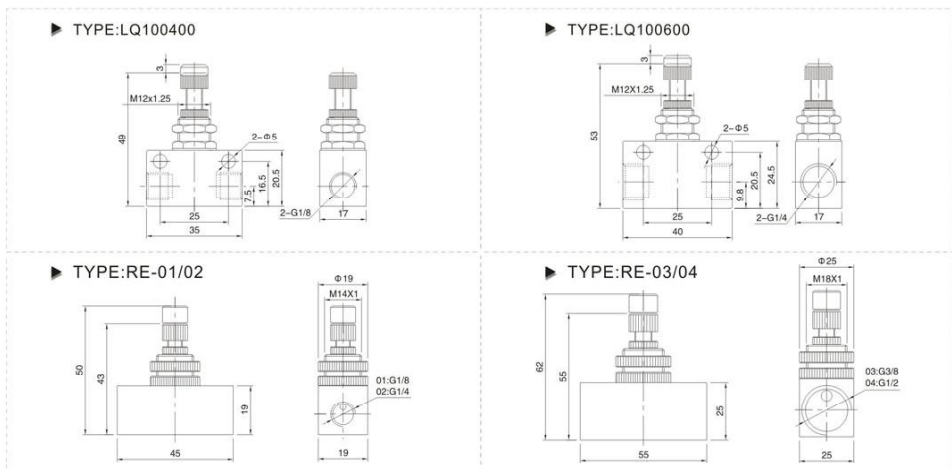


RE-01

规格/Specification

型号/Model	LQ100400	LQ100600	RE-01	RE-02	RE-03	RE-04
工作介质/Working Medium	经40微米过滤的空气/40 Micron Filtered Air					
接管口径/Joint Pipe Bore	G1/8	G1/4	G1/8	G1/4	G3/8	G1/2
工作温度/Operating Temperature	0-60°C					
使用压力/Working-Pressure	0.05-1.0Mpa					
最大耐压/Max.Pressure Resistance	1.5Mpa					

外形尺寸/Overall Dimension



单向节流阀

One-way Throttle Valve

订购代号/Ordering Code

KLA - 8

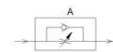
系列代码
Series No

KLA:KLA系列
KLA Series
单向节流阀
One-way Throttle Valve

接管口径
Joint Pipe Bore

6:M10×1(G1/8")
8:M12×1.25(G1/4")
10:M16×1.5(G3/8")
15:M20×1.5(G1/2")
20:M27×2(G3/4")
25:M33×2(G1")
32:M42×2(G1 1/4")
40:M48×2(G1 1/2")
50:M60×2(G2")

图形符号/Graphic symbol



KLA-8

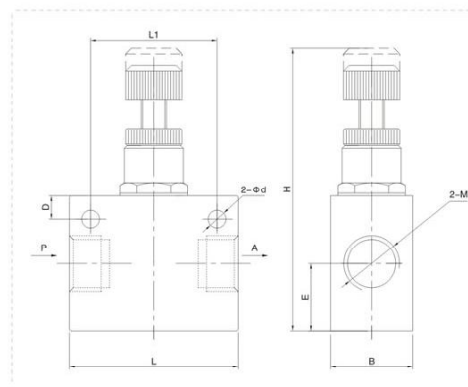


KLA-15

规格/Specification

型号/Model	KLA-6	KLA-8	KLA-10	KLA-15	KLA-20	KLA-25
工作介质/Working Medium	经40微米过滤的空气/40 Micron Filtered Air					
接管口径/Joint Pipe Bore	G1/8	G1/4	G3/8	G1/2	G3/4	G1
工作温度/Operating Temperature	0-60°C					
使用压力/Working-Pressure	0.05-1.0Mpa					
最大耐压/Max.Pressure Resistance	1.5Mpa					

外形尺寸/Overall Dimension



尺寸表/Dimension Sheet

型号/Model	口径 Aperture	L	L1	H	B	M	E	D	φd
KLA-6	6	40	30	61-70	20	M10×1(G1/8)	16	5	4.2
KLA-8	8	40	30	61-70	20	M12×1.25(G1/4)	16	5	4.2
KLA-10	10	50	38	79-88	25	M16×1.5(G3/8)	19.5	6	5
KLA-15	15	60	46	88-102	28	M20×1.5(G1/2)	25	7.5	7.2
KLA-20	20	65	45	105-114	35	M27×2(G3/4)	29	9	7
KLA-25	25	65	45	105-114	44	M33×2(G1)	29	9	7