

LAW系列过滤减压阀

LAW Series Filter & Regulator



订购代号/Ordering Code

LAW 3000 - 03 D

过滤减压阀
Filter & Regulator

规格
Specification
2000
3000
4000
04:G1/2"
06:G3/4"
10:G1"

连接口径
Joint Pipe Bore
01:G1/8"
02:G1/4"
03:G3/8"
04:G1/2"
06:G3/4"
10:G1"

排水方式/Drain Type
空白:差压排水
Blank:Differential Drain
D:自动排水
D:Automatic Drain

图形符号/Graphic symbol



LAW5000-10



LAW4000-04



LAW2000-02

规格/Specification

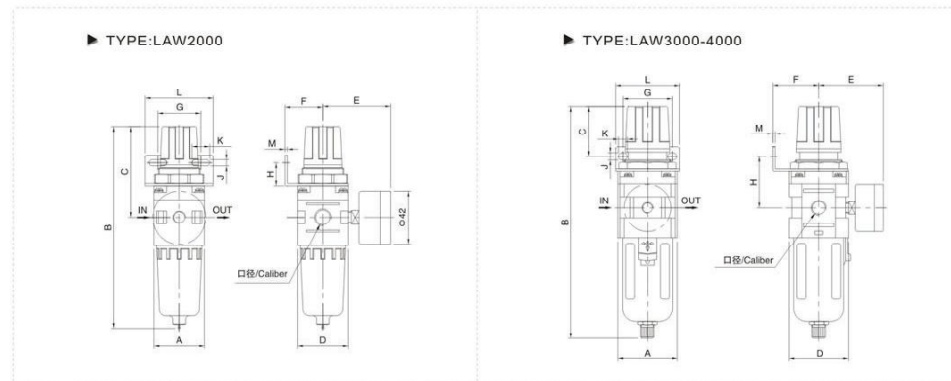
型号/Model	LAW2000-01	LAW2000-02	LAW3000-01	LAW3000-02	LAW3000-03	LAW4000-01	LAW4000-02	LAW4000-03	LAW4000-04	LAW5000-01	LAW5000-02
额定流量/Rated Flow	550	550	2000	2000	2000	4000	4000	4500	5500	5500	5500
接管口径/Joint Pipe Bore	G1/8	G1/4	G1/4	G1/4	G3/8	G3/8	G1/2	G3/4	G3/4	G1	G1
滤芯精度/Filtering Element Roughness	25 μ										
调节压力范围/Range of Adjustable Pressure	0.05~0.85MPa										
最大可调压力/Max. Adjustable Pressure	1.0MPa										
保证耐压力/Ensured Pressure Resistance	1.5MPa										
使用温度范围/Operating Temperature Range	5~60°C										
容器材料/Container Material	聚碳酸酯/Polycarbonate										
保护罩/Protective Cover	无/Not Available					有/Available					
放水功能/Drain Function	差压放水/Differential Drain					差压放水、自动放水/Differential Drain, Automatic Drain					
阀型/Valve Type	带溢流型/With Overflow										



LAW系列过滤减压阀

LAW Series Filter & Regulator

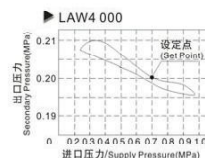
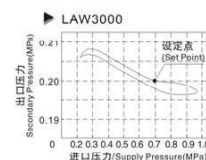
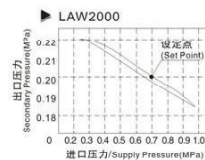
外形尺寸/Overall Dimension



型号 Model	口径 Bore	A	B	C	D	E	F	G	H	J	K	L
LAW2000	1/4	40	164.5	78	40	56.8	30	34	45	5.4	15.4	55
LAW3000	1/4•3/8	53	211	92.5	53	60.8	41	40	46	6.5	8.0	53
LAW4000	1/4•3/8	70	262.5	112	70	70.5	50	54	54	8.5	10.5	70
LAW4000-06	3/4	75	267	114	70	70.5	50	54	56	8.5	10.5	70
LAW5000	3/4•1	90	338	116	90	80.5	50	54	60	10	11	91

压力特性/Pressure Character

进口压力=0.7MPa 出口压力=0.2MPa 流量=20L/min
Supply Pressure=0.7MPa Secondary Pressure=0.2MPa Flow=20L/min



流量特性/Flowing Character

进口压力=0.7MPa
Supply Pressure=0.7MPa

