

LAR系列减压阀

LAR Series Regulator



LAR系列减压阀

LAR Series Regulator

气源处理元件
air treatment

订购代号/Ordering Code

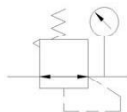
LAR 3000 - 03

减压阀 Regulator

规格代号 Specification Code
2000
2500
3000
4000
5000

连接口径 Joint Pipe Bore
01: G1/8"
02: G1/4"
03: G3/8"
04: G1/2"
06: G3/4"
10: G1"

图形符号/Graphic symbol



LAR4000-04



LAR3000-03

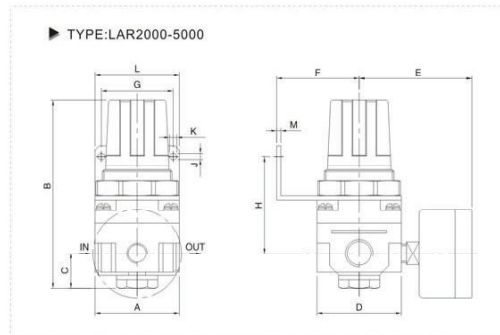


LAR2000-02

规格/Specification

型号/Model	LAR2000-01	LAR2000-02	LAR2500-02	LAR2500-03	LAR3000-02	LAR3000-03	LAR4000-03	LAR4000-04	LAR4000-06	LAR5000-06	LAR5000-10
额定流量/Rated Flow	550	550	2000	2000	2500	2500	6000	6000	6000	8000	8000
接管口径/Joint Pipe Bore	G1/8	G1/4	G1/4	G3/8	G1/4	G3/8	G3/8	G1/2	G3/4	G3/4	G1
调节压力范围/Range of Adjustable Pressure	0.05~0.85MPa										
最大可调压力/Max. Adjustable Pressure	1.0MPa										
保证耐压力/Ensured Pressure Resistance	1.5MPa										
使用温度范围/Operating Temperature Range	5~60℃										
阀型/Valve Type	带溢流型/With Overflow										

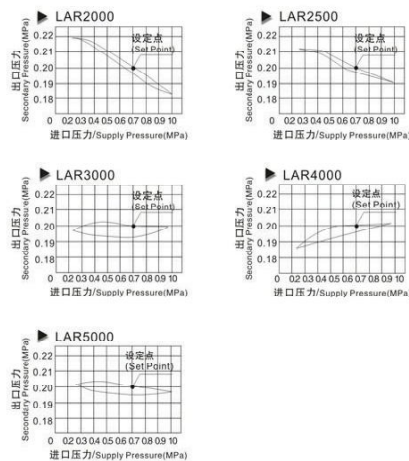
外形尺寸/Overall Dimension



型号 Model	口径 Bore	A	B	C	D	E	F	G	H	J	K	L
LAR2000	1/4	40	95	17	40	56.8	30	34	45	5.4	15.4	55
LAR2500	1/4	53	102.5	25	48	60.8	30	34	44	5.4	15.4	55
LAR3000	1/4•3/8	53	127.5	35	53	60.8	41	40	46	6.5	8.0	53
LAR4000	3/8•1/2	70	149.5	37.5	70	65.5	50	54	54	8.5	10.5	70
LAR4000-06	3/4	75	154.5	40.5	70	69.5	50	54	56	8.5	10.5	70
LAR5000	3/4•1	90	168	48	90	75.5	70	66	65.8	11	13	90

压力特性/Pressure Character

进口压力=0.7MPa 出口压力=0.2MPa 流量=20L/min
Supply Pressure=0.7MPa Secondary Pressure=0.2Mpa Flow=20L/min



流量特性/Flowing Character

进口压力=0.7MPa
Supply Pressure=0.7MPa

