

脚踏阀

Pedal Valve



订购代号/Ordering Code

4F **2** **10** **-** **08** **L**

规格代号 规格代号 位置数 接管口径 型式代号 Type Code
 Specification Series Code Number of Places Joint Pipe Bore Blank: standard type
 Code 2:200系列 10:单头双位置 08:G1/4" L:附锁型 L:with lock
 4F:二位五通脚踏阀 10:Single-head Double-position G:附罩型 LG:with lock and cover
 4F:Two-position Five-way Foot Valve



4F210-08G



4F210-08L

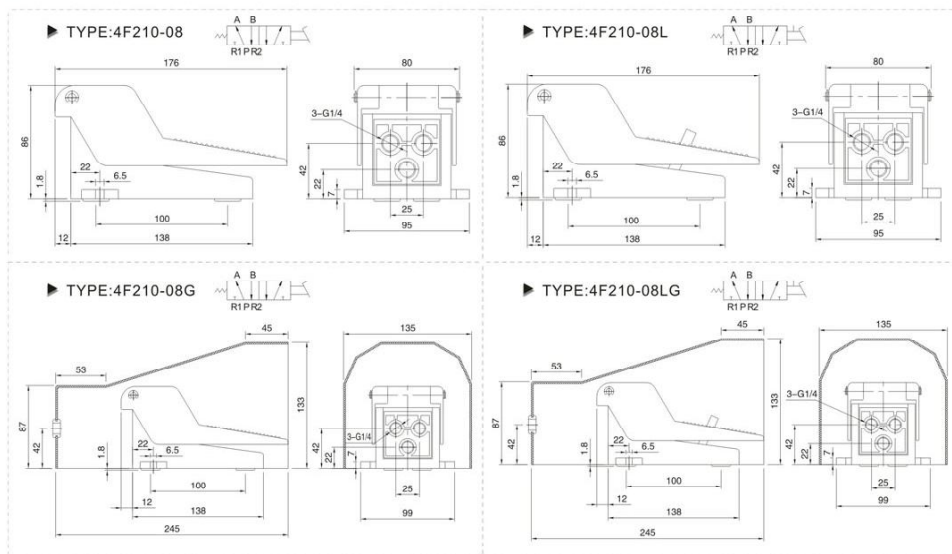


4F210-08

规格/Specification

型号/Model	4F210-08	4F210-08L	4F210-08G	4F210-08LG
工作性质/Working Medium	经40微米过滤的空气/40 Micron Filtered Air			
位置数/The Position Counting	二位五通/Two-position Five-way			
接管口径/Joint Pipe Bore	进气=出气=G1/4 排气=G1/8 Air Inlet=Air Outlet=G1/4 Exhaust=G1/8			
动作形式/Motion Pattern	直动式/Direct Drive Type			
使用压力范围/Working-Pressure Range	0-0.8Mpa			
使用温度范围/Operating Temperature Range	0-60℃			

外形尺寸/Overall Dimension



LS3机械阀

LS3 Mechanical Valve

订购代号/Ordering Code

LS3 **B** **-** **M5**

规格代号 按钮形式 接管口径 Type Code
 Specification Code Button Type Joint Pipe Bore Blank: standard type
 LS3:二位三通 B:质料型 M5:M5 L:with lock
 LS3:Two-position B:Pin-lift Type M5:M5 G:with cover
 Three-way P:按钮型 P:Button Type LG:with lock and cover



LS3P-M5



LS3B-M5

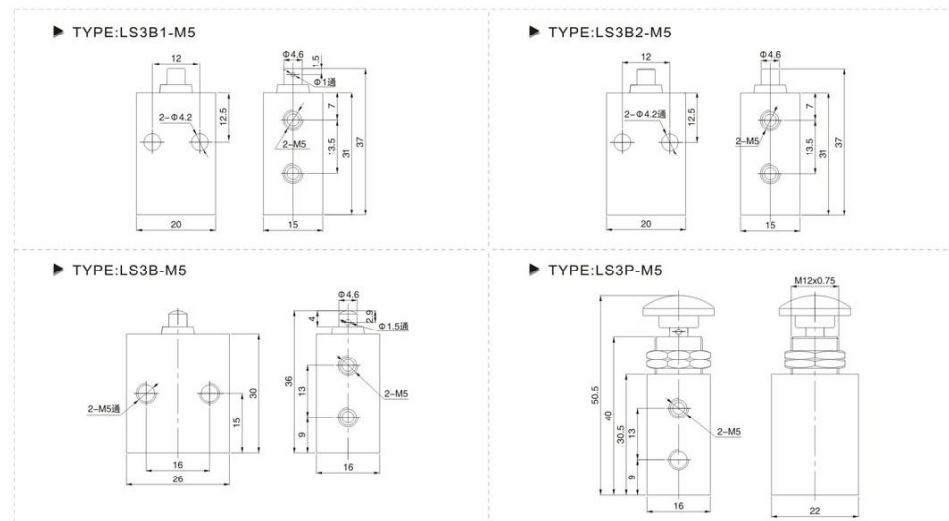


LS3B1-M5



LS3B2-M5

外形尺寸/Overall Dimension



简介/Synopsis

该阀采用专用型材加工，特殊的密封材料和先进工艺精制而成，外观简洁美观，密封性好，换向灵敏，控制力轻，寿命长，在各种机械设备中广泛应用。

This series valves are made by Special aluminum profile, special seal material & advanced manufacturing technology. Having a simple & pleasing shape, sealed well, the movement is nimble and reliable, long working life time. It is widely used for different mechanical equipment.

控制元件
Control Components