

FUSERBLOC Series



Overview

Ferraz Shawmut FUSERBLOC fusible disconnect switches employ double break contacts per pole to isolate the fuse when the switch is in the OFF position. They are durable, manually operated, and supplied with fuse covers and line side shrouding as a standard safety feature. When used with AutomationDirect's Class CC or J fuses, these switches are tops in short circuit protection. Designed using the latest technology, they comply with UL 98 requirements. FUSERBLOC switches are tested

and approved for heavy duty applications, such as "service entrance" or main panel disconnects. Choose from a wide selection of handles meeting OSHA padlocking requirements, NEMA configurations, defeater options and NFPA 79 requirements.

Features

- Double break contacts per pole up to 200 A
- Touch-safe fuse covers and line shrouding standard
- Service entrance rated
- Compact footprints
- Front operated switches
- Defeatable pistol handles automatically re-latch when panel door is closed - no tool necessary to reset latch
- External or direct operation handles.

Applications

- Service entrance or main panel disconnects
- "Make and Break" power circuit applications on load
- Fusible isolation switches
- NFPA 79 Solutions

Ratings

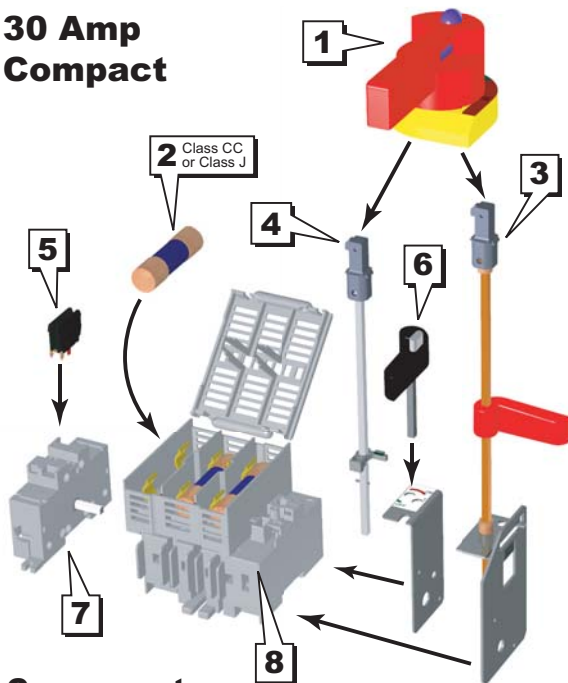
- 600 VAC, 250 VDC
- 30, 60, 100 and 200 Amperes
- Up to 200 kA short circuit rating with Class CC or J fuses

Approvals

- All FUSERBLOC switches are UL 98 rated
- UL Listed Guide WHTY, File E191605
- CSA C22.2 # 4 Class 4652 04, File 703166
- IEC 947-3
- CE mark

Components

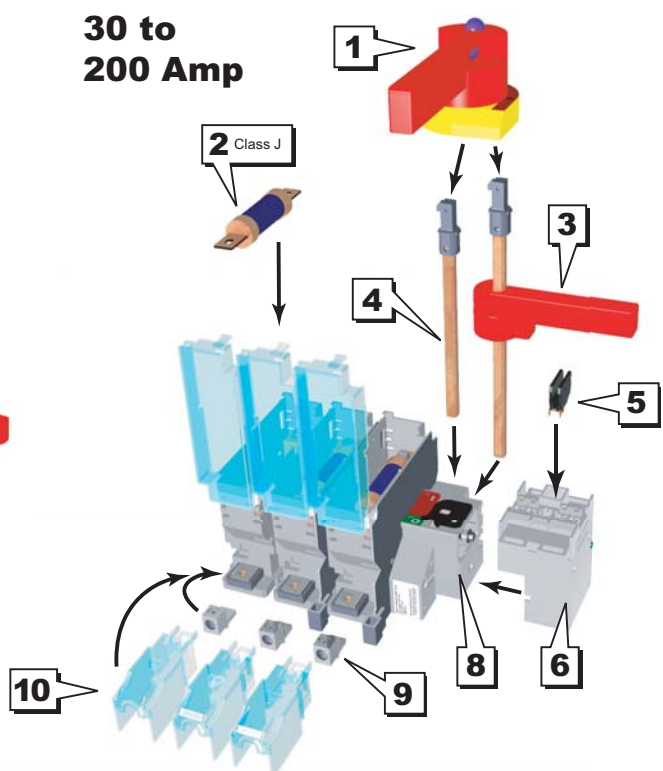
30 Amp Compact



Components

- 1 – External Door Handle
- 2 – Fuse
- 3 – NFPA 79 Compliant Handle Option
- 4 – Standard Shaft

30 to 200 Amp



- 5 – Auxiliary Contact Block
- 6 – Direct Mount Handle Option
- 7 – Auxiliary Contact Holder

- 8 – Disconnect Switch Body
- 9 – Terminal Lugs
- 10 – Terminal Shroud

Fusible Disconnects

FUSERBLOC Series Selection Guides

FUSERBLOC Series Front-operated Fusible Disconnects						
Style	Part Number	Price	Weight lb(kg)	Ampere Rating	Hp @ Voltage	Interrupt Capacity (kA)
Compact	FBCC30CDT	<--->	1.3(0.60)	30	15 Hp @ 480V	50
	FBJ30CDT	<--->	1.3(0.60)	30	15 Hp @ 480V	50
Standard	FBJ30	<--->	4.9(2.20)	30	15 Hp @ 480V	200
	FBJ60	<--->	4.9(2.20)	60	30 Hp @ 480V	200
	FBJ100	<--->	6.2(2.80)	100	60 Hp @ 480V	200
	FBJ200	<--->	6.6(2.99)	200	125 Hp @ 480V	200

Ferraz Fusible Disconnects Component Selection Guide				
Part Number	Price	Weight lb(kg)	Description	Use With
SD200-5	<--->	0.2(0.09)	Operator shaft, type D, 7.9" (200 mm) length, 5x5 mm thick (purchase handle separately)	FBCC30CDT, FBJ30CDT
SD320-5	<--->	0.3(0.14)	Operator shaft, type D, 12.6" (320 mm) length, 5x5 mm thick (purchase handle separately)	FBCC30CDT, FBJ30CDT
SG120-5	<--->	0.15(0.07)	Operator shaft, type G, 4.7" (120 mm) length, 5x5 mm thick (purchase handle separately)	FBCC30CDT, FBJ30CDT
SG200-10	<--->	0.3(0.14)	Operator shaft, type G, 7.9" (200 mm) length, 10x10 mm thick (purchase handle separately)	FBJ30 thru FBJ200
SG200-5	<--->	0.2(0.09)	Operator shaft, type G, 7.9" (200 mm) length, 5x5 mm thick (purchase handle separately)	FBCC30CDT, FBJ30CDT
SG320-10	<--->	0.5(0.23)	Operator shaft, type G, 12.6" (320 mm) length, 10x10 mm thick (purchase handle separately)	FBJ30 thru FBJ200
SG320-5	<--->	0.2(0.09)	Operator shaft, type G, 12.6" (320 mm) length, 5x5 mm thick (purchase handle separately)	FBCC30CDT, FBJ30CDT
SG400-10	<--->	0.7(0.32)	Operator shaft, type G, 15.7" (400 mm) length, 10x10 mm thick (purchase handle separately)	FBJ30 thru FBJ200
HADB1	<--->	0.1(0.05)	Direct mount handle	FBCC30CDT
HADB2	<--->	0.2(0.09)	Direct mount handle	FBJ30CDT
HADB6	<--->	0.4(0.18)	Direct operation, optional handle, 12.415" (315.314 mm) long padlocking on the switch, NFPA 79 compliant	FBCC30CDT, FBJ30CDT
HADB8	<--->	0.4(0.18)	Direct operation, optional handle, 12.415" (315.314 mm) long padlocking on the switch, NFPA 79 compliant	FBJ30 thru FBJ200
HGPB	<--->	0.5(0.23)	Black Pistol handle, NEMA 12, 2.78" long, Type G, defeatable and lockable	FBCC30CDT, FBJ30CDT
HGPB4	<--->	0.6(0.27)	Black Pistol handle, NEMA 4X, 2.78" long, Type G, defeatable and lockable	FBCC30CDT, FBJ30CDT
HGPB4L	<--->	0.7(0.32)	Black long Pistol handle, NEMA 4X, 4.98" long, Type G long, defeatable and lockable	FBJ30 thru FBJ200
HGPBL	<--->	0.6(0.27)	Black long Pistol handle, NEMA 12, 4.98" long, Type G long, defeatable and lockable	FBJ30 thru FBJ200
HGPR	<--->	0.6(0.27)	Red and yellow Pistol handle, NEMA 12, 2.78" long, Type G, defeatable and lockable	FBCC30CDT, FBJ30CDT
HGPR4	<--->	0.6(0.27)	Red and yellow Pistol handle, NEMA 4X, 2.78" long, Type G, defeatable and lockable	FBCC30CDT, FBJ30CDT
HGPR4L	<--->	0.6(0.27)	Red and yellow long Pistol handle, NEMA 4X, 4.98" long, Type G long, defeatable/lockable	FBJ30 thru FBJ200
HGPRL	<--->	0.6(0.27)	Red and yellow long Pistol handle, NEMA 12, 4.98" long, Type G long, defeatable/lockable	FBJ30 thru FBJ200

Ferraz Fusible Disconnects Accessories Selection Guide				
Part Number	Price	Weight lb(kg)	Description	Use With
ACHCD	<--->	0.2(0.09)	Auxiliary contact holder	FBCC30CDT, FBJ30CDT
ACH	<--->	0.1(0.05)	Auxiliary contact holder	FBJ30 thru FBJ200
AC3	<--->	0.1(0.05)	Auxiliary contact for FUSERBLOC non-fused disconnect switches. One N.O. contact.10 A. 600 VAC	All FUSERBLOC switches
AC4	<--->	0.1(0.05)	Auxiliary contact for FUSERBLOC non-fused disconnect switches. One N.C. contact.10 A. 600 VAC	All FUSERBLOC switches
TL100	<--->	0.2(0.09)	Terminal lug kit, Aluminum, tin-plated, 2/0 to #14, 6 lugs per kit	FBJ100
TL200	<--->	0.4(0.18)	Terminal lug kit, Aluminum, tin-plated, 3/0 to #6, 6 lugs per kit	FBJ200
TS100FB*	<--->	0.15(0.07)	Terminal shroud kit, Use with 100 amp fusible switch, 3 per kit	FBJ100
TS200FB*	<--->	0.5(0.23)	Terminal shroud kit, Use with 200 amp fusible switch, 3 per kit	FBJ200

*Note: Line side terminal shroud supplied standard with switch.

Fusible Disconnects

FUSERBLOC Series - Build a Complete Switch 30 Amp Compact

STEP 1

Choose a switch body



Switch body

Ultra-Compact Switch Body	Ampere Rating	Hp @ Voltage	Interrupt Capacity (kA)
FBCC30CDT*	30	15 Hp @ 480V	50
FBJ30CDT*	30	15 Hp @ 480V	50

*Note: Lugs, shrouds and screens are integrated into these switches.

Use these fuses

Switch	Fuse Type	ADC Series Fuse	Current Range
FBCC30CDT	CC	EDCC	1-30
		HCTR	
		HCLR	
FBJ30CDT	J	JDL	1-30



STEP 2

Choose a handle



Short handles

Handle	Description
HDPB	Pistol, Black, NEMA 1, 3R, 12, Type D
HDPR	Pistol, Red/yellow, NEMA 1, 3R, 12, Type D



Standard handles

Handle	Description
HGPB	Pistol, Black, NEMA 1, 3R, 12, Type G.
HGPB4	Pistol, Black, NEMA 4, 4X, Type G.
HGPR	Pistol, Red /yellow, NEMA 1, 3R, 12, Type G.
HGPR4	Pistol, Red /yellow, NEMA 4, 4X, Type G.

Direct handles

Handle	Description
HADB1	Direct mount handle for FBCC30CDT, Black
HADB2	Direct mount handle for FBJ30CDT, Black

NFPA 79 compliant handle

Optional Handle	Description
HADB6	NFPA 79-compliant, allows operation and padlocking the switch when door is open. Red. Shaft not required.

STEP 3

Choose a shaft



Short handle shafts

Shaft	Description
SD200-5	Type D, 7.9" (200 mm) long
SD320-5	Type D, 12.6" (320 mm) long



Standard handle shafts

Shaft	Description
SG120-5	Type G, 4.7" (120 mm) long
SG200-5	Type G, 7.9" (200 mm) long
SG320-5	Type G, 12.6" (320 mm) long

Shafts not used with direct handles

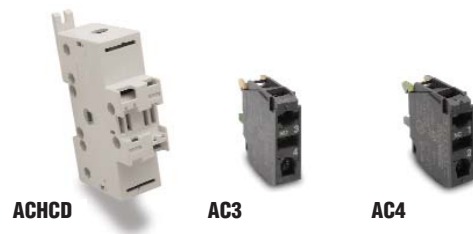
Select a standard handle

Note: Short handles cannot be used with NFPA 79 compliant handle.

STEP 4

Choose your Accessories

Part Number	Description	Use With
ACHCD	Auxiliary contact holder. Maximum capacity: 4 switches. REQUIRED when using AC3 or AC4.	FBCC30CDT, FBJ30CDT
AC3	Auxiliary contact. One N.O. contact. 10 A. 600 VAC. REQUIRES ACHCD. Please purchase separately.	All FUSERBLOC switches
AC4	Auxiliary contact. One N.C. contact. 10 A. 600 VAC. REQUIRES ACHCD. Please purchase separately.	All FUSERBLOC switches



STEP 1

Choose a switch body



Switch body

Switch	Ampere Rating	Hp @ Voltage	Interrupt Capacity (kA)
FBJ30*	30	15 Hp @ 480V	200
FBJ60*	60	30 Hp @ 480V	200
FBJ100**	100	60 Hp @ 480V	200
FBJ200***	200	125 Hp @ 480V	200

*Note: Screws, shrouds and lugs integrated into switch

**Note: Line side shroud included with this switch. Use terminal lug kit TL100 and TS100FB shroud, sold separately, for load side.

***Note: Line side shroud included with this switch. Use terminal lug kit TL200 and TS200FB shroud, sold separately, for load side

Use these fuses

Switch	Fuse Type	ADC Series Fuse	Current Range
FBJ30	J	JDL	1-30
FBJ60	J	JDL	35 - 60
FBJ100	J	JDL	70 - 100
FBJ200	J	JDL	125 - 200

STEP 2

Choose a handle



Standard handles

Handle	Description
HGPBL	Pistol, Long Black, NEMA 1, 3R, 12; 4.98" long, Type G
HGPB4L	Pistol, Long Black, NEMA 4, 4X, 4.98" long, Type G
HGPRL	Pistol, Long Red/yellow NEMA 1, 3R, 12; 4.98" long, Type G
HGPR4L	Pistol, Long Red/yellow NEMA 4, 4X, 4.98" long, Type G



NFPA 79 compliant handle

Optional Handle	Description
HADB8	NFPA 79-compliant, allows operation and padlocking the switch when door is open. Red. Shaft not required.

STEP 3

Choose a shaft



Standard handle shafts

Shaft	Description
SG200-10	Type G, 7.9" (200 mm) long
SG320-10	Type G, 12.6" (320 mm) long
SG400-10	Type G, 15.7" (400 mm) long

Select a standard shaft

STEP 4

Choose your Accessories



ACH



AC3



AC4



TL100



TL200



TS100FB



TS200FB

Part Number	Description	Use With
ACH	Auxiliary contact holder. Maximum capacity: 8 switches. REQUIRED when using AC3 or AC4.	FBJ30 thru FBJ200
AC3	Auxiliary contact. One N.O. contact. 10 A. 600 VAC. REQUIRES ACH. Please purchase separately.	All FUSERBLOC switches
AC4	Auxiliary contact. One N.C. contact. 10 A. 600 VAC. REQUIRES ACH. Please purchase separately.	All FUSERBLOC switches
TL100	Terminal lug kit, Aluminum, tin-plated, 2/0 to #14, 6 lugs per kit	FBJ100
TL200	Terminal lug kit, Aluminum, tin-plated, 3/0 to #6, 6 lugs per kit	FBJ200
TS100FB*	Terminal shroud kit, Use with 100 amp fusible switch, 3 shrouds per kit. Use on line or load side.	FBJ100
TS200FB*	Terminal shroud kit, Use with 200 amp fusible switch, 3 shrouds per kit. Use on line or load side.	FBJ200

*Note: Line side terminal shroud supplied standard with switch.

Fusible Disconnects

FUSERBLOC Series Specifications

FUSERBLOC Fusible Disconnects Technical Specifications According to UL 508, cUL and CSA							
Specifications							
Part Number	FBCC30CDT	FBJ30CDT	FBJ30	FBJ60	FBJ100	FBJ200	
Price	<--->	<--->	<--->	<--->	<--->	<--->	<--->
Rated Operating Voltage (VAC)	600	600	600	600	600	600	
Short Circuit Rating (kA)	50	50	200	200	200	200	
Fuse Type (if fusing separately)	CC	J	J	J	J	J	
Fuse Rating (A) (if fusing separately)	30	30	30	60	100	200	
Maximum UL Horsepower/Maximum Motor FLA Current, Three Phase							
208V	5/17.5	5/17.5	5/17.5	15/48.5	25/78.5	50/150	
240V	7.5/22	7.5/22	7.5/22	15/42	30/80	60/154	
480V	15/21	15/21	15/21	30/40	60/77	125/156	
600V	20/22	20/22	20/22	50/52	75/77	150/144	
DC 125V	3/25	3/25	3/25	3/25	7.5/58	15/112 ¹	
DC 250V	5/20	5/20	5/20	10/38	20/38	40/140 ¹	
Switch Operating Torque lb-in	21	21	88	88	88	106	
Wire Size Range AWG (# wire holes per lug)	#10 - #14 (1)	#10 - #14 (1)	#3 - #10 (1)	#3 - #10 (1)	2/0 #14 (1)	3/0 #6 (1)	
Terminal Lugs Kit (# of lugs per kit)	Integral	Integral	Integral	Integral	Optional (6)	Optional (6)	
Wire Tightening Torque lb-in	27	27	58	58	120	200	
Net Weight lb(kg)	1.3(0.60)	1.3(0.60)	4.9(2.20)	4.9(2.20)	6.2(2.80)	6.6(2.99)	

Note 1: 3 pole in series

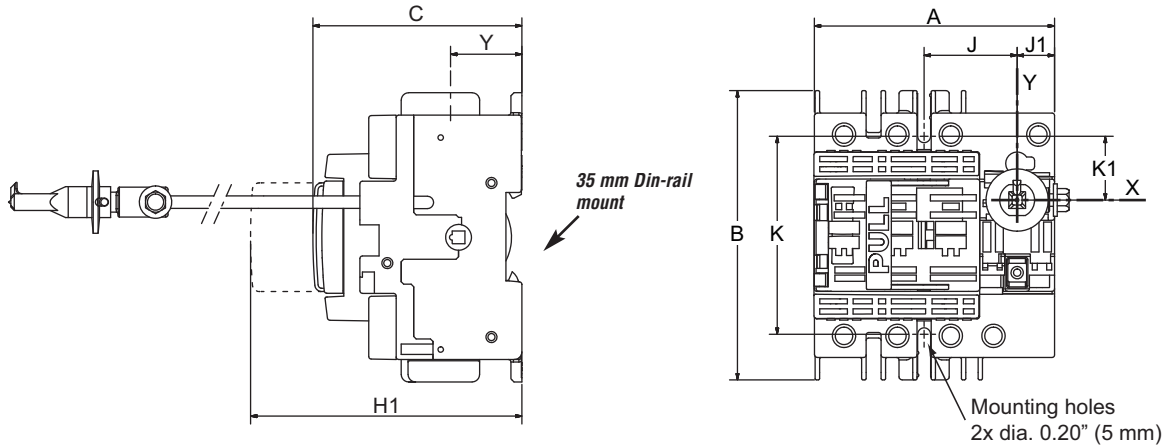
IEC 947-3 Technical Specifications for Front Operation								
Part Number	Unit	FBCC30CDT	FBJ30CDT	FBJ30	FBJ60	FBJ100	FBJ200	
Rating	A	32CD	32CD	32	60	100	200	
Rated Insulation Voltage Ui (V)	V	800	800	750	750	750	750	
Rated Impulse Voltage (Uimp)	kV	8 kV	8 kV	8 kV	8 kV	8 kV	8 kV	
Operation Current Ie (A)								
	*IEC Utilization Category	Unit						
400 VAC	AC 22A	A	32	32	32	63	100	200
	AC 23A	A	32	32	32	63	100	200
690 VAC	AC 22A	A	32	32	32	63	100	200
	AC 23A	A	32	32	32	63	100	200
Motor Power (kW)								
400 VAC	AC 23A	A	15	15	15	30	51	100
500 VAC	AC 23A	A	18.5	18.5	18.5	40	63	140
690 VAC	AC 23A	A	25	25	25	55	90	185
Max. Peak Let-through Current (gG)	kA peak	5.5	5.5	17.6	17.6	22	32	
Connection								
Minimum Cu cable section	mm ²	6	6	6	10	25	50	
Minimum CU busbar section	mm ²	—	—	—	—	—	—	

*Note: See Appendix for IEC utilization categories.

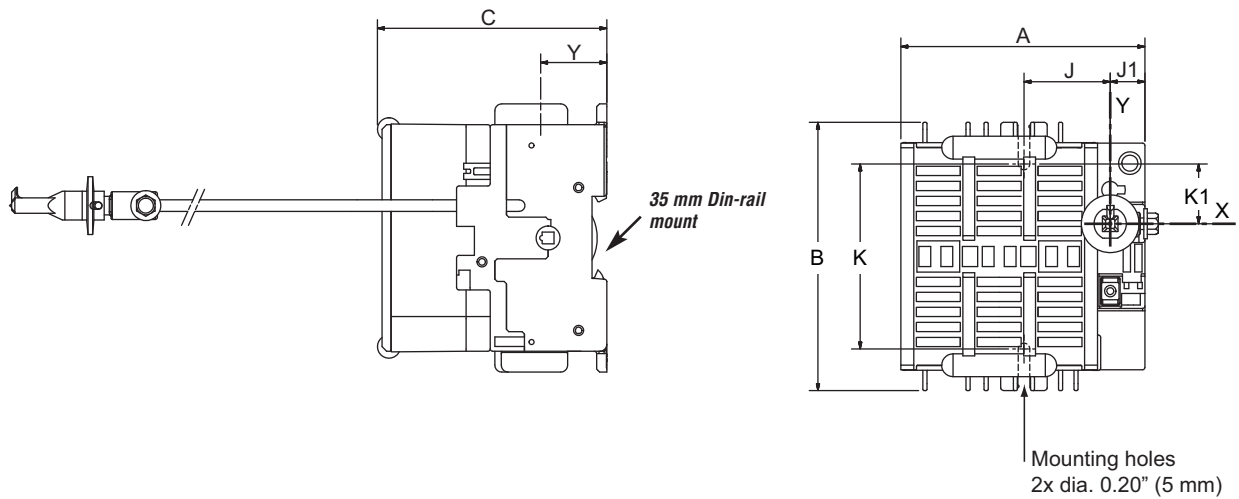
Fusible Disconnects

FUSERBLOC Series Dimensions

FBCC30CDT



FBJ30CDT

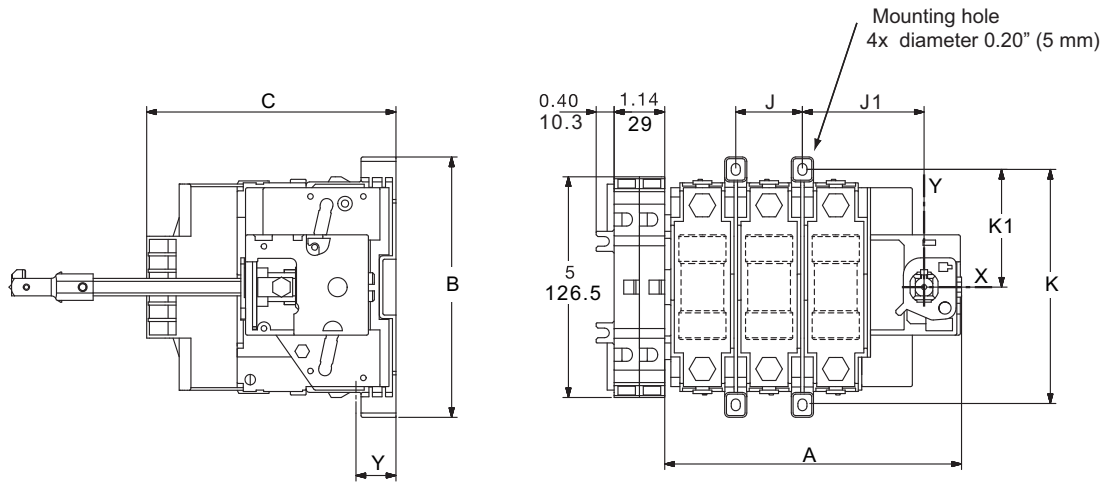


Compact Design Part Number	Number of Poles	A		B		C		H		H1		H2		H3		J		J1		K		K1		Y	
		in	mm	in	mm	in	mm	in	mm	in	mm	in	mm	in	mm	in	mm	in	mm	in	mm	in	mm	in	mm
FBCC30CDT	3	3.78	96	4.56	116	3.28	83.5	-	-	5.19	132	-	-	-	-	1.47	37.5	0.59	15	3.13	79.5	1	25.5	1.12	28.5
FBJ30CDT	3	4.13	105	4.56	116	3.89	99	-	-	-	-	-	-	-	-	1.47	37.5	0.59	15	3.30	84	1	25.5	1.12	28.5

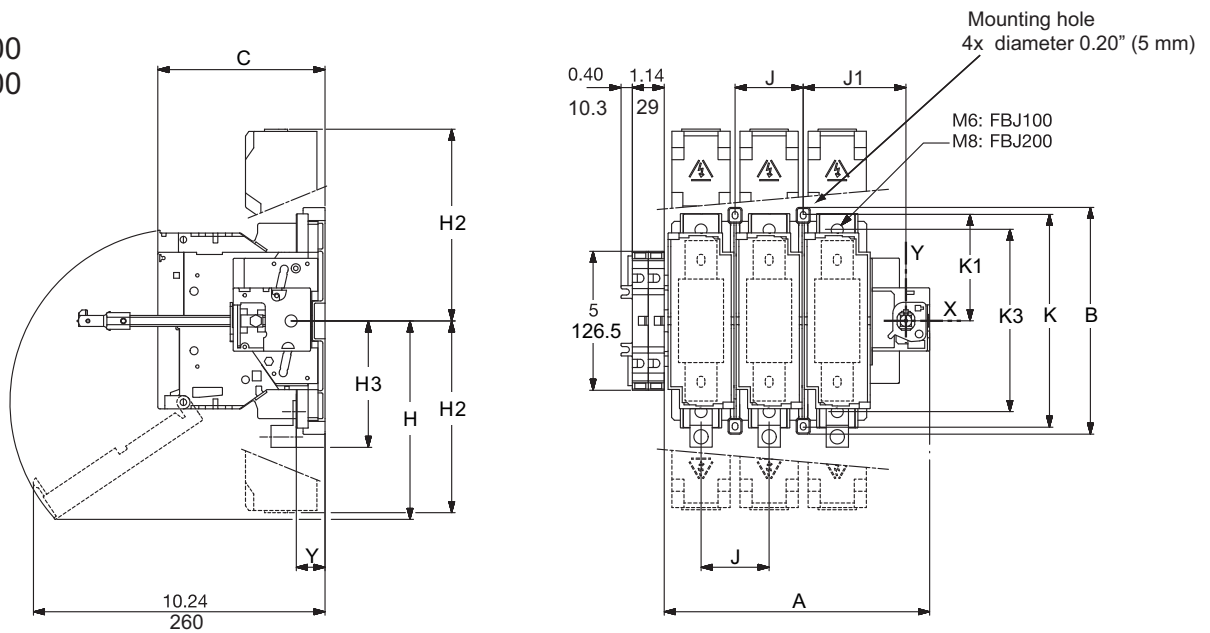
Fusible Disconnects

FUSERBLOC Series Dimensions

FBJ30
FBJ60



FBJ100
FBJ200

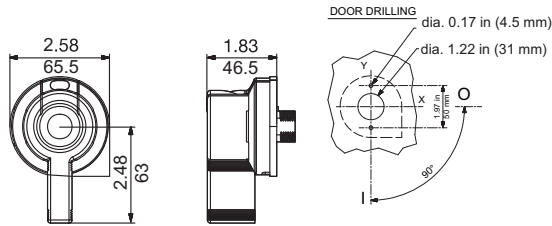


Rating	Number of Poles	A		B		C		H		H2		H3		J		J1		K		K1		K3		Y	
		in	mm	in	mm	in	mm	in	mm	in	mm	in	mm	in	mm	in	mm	in	mm	in	mm	in	mm	in	mm
FBJ30CDT	3	5.63	143	5.87	149	3.89	99	-	-	-	-	-	-	1.14	29	2.38	60.5	5.31	135	2.63	66.5	-	-	1.21	31
FBJ30	3	6.72	171	5.87	149	5.62	143	-	-	-	-	-	-	1.5	38	2.75	69.5	5.31	135	2.63	66.5	-	-	0.95	24.5
FBJ60	3	6.72	171	5.87	149	5.62	143	-	-	-	-	-	-	1.5	38	2.75	69.5	5.31	135	2.63	66.5	-	-	0.95	24.5
FBJ100	3	8.26	210	7.19	182.5	5.63	143	4.06	103	5.27	134	3.66	93	2.05	52	3.28	83.5	6.61	168	3.28	83.5	5.55	141	1	26
FBJ200	3	9.44	240	8.13	206.5	6	152	7.27	184.5	6.87	174.5	4.79	122	2.44	62	3.68	93.5	7.56	192	3.75	95.5	6.53	166	1.03	26

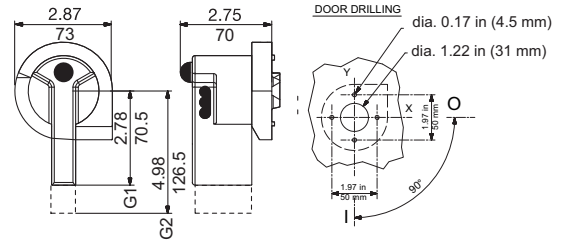
Fusible Disconnects FUSERBLOC Series Dimensions

Handles for external front operation

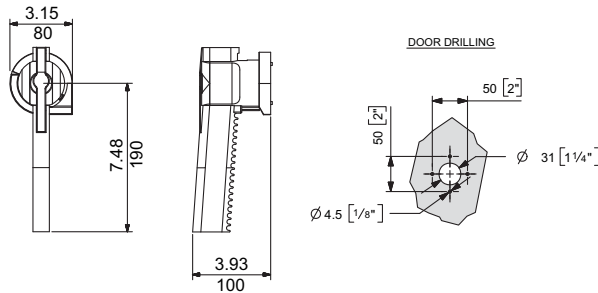
PISTOL HANDLE TYPE D (short)



PISTOL HANDLE TYPE G (standard)

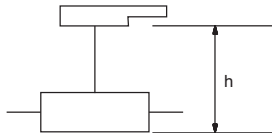


PISTOL HANDLE TYPE H (long)



Backplate-to-door distance with shaft extension (in/mm)

MINIMUM DISTANCE (in/mm)

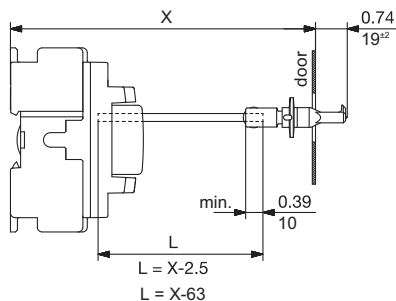


<i>h</i> Minimum Dimension	Handle Type D		Handle Type G	
	in	mm	in	mm
FBCC30CDT	5.12	130	4.14	105
FFBJ30CDT	5.91	150	4.73	120
FBJ30	–	–	6.50	165
FBJ60	–	–	6.50	165
FBJ100	–	–	6.50	165
FBJ200	–	–	6.89	175

SHAFT TRIMMING LENGTH (=DIMENSION L)

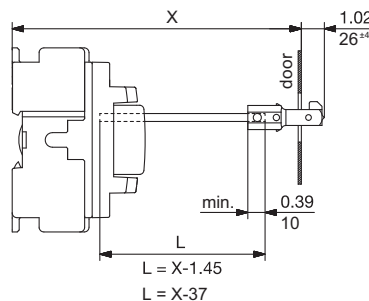
PISTOL HANDLE TYPE D

FBCC30CDT - FBJ30CDT



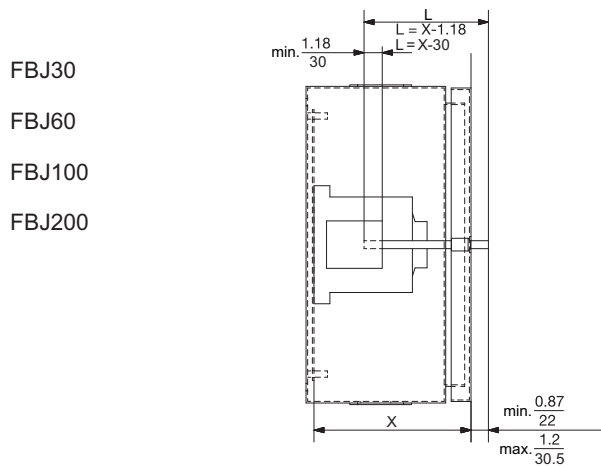
PISTOL HANDLE TYPE G

FBCC30CDT - FBJ30CDT



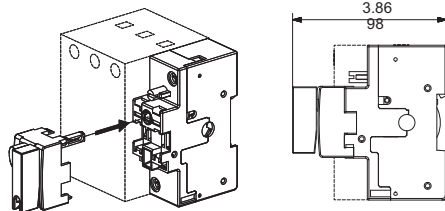
Fusible Disconnects FUSERBLOC Series Dimensions

Backplate-to-door distance with shaft extension, continued (in/mm)

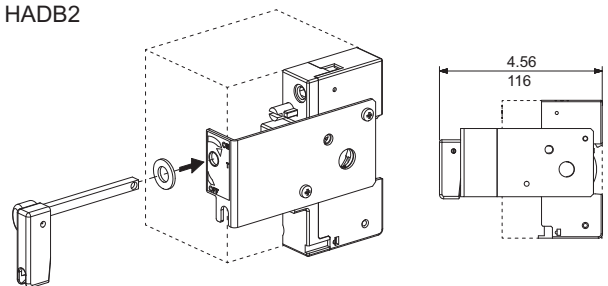


Handles for direct front operation

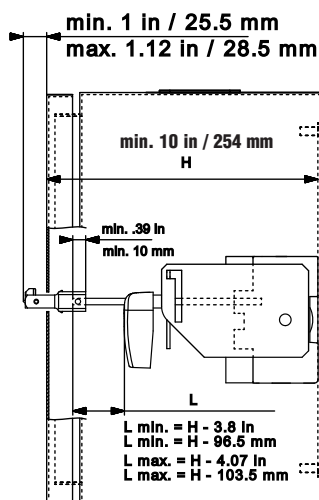
HADB1



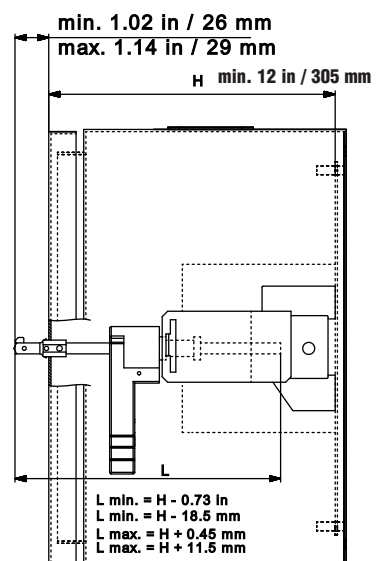
HADB2



HADB6



HADB8



Note: Minimum enclosure dimension from backplate to door is 8" for HADB6 and 10" for HADB8. These are backplate to door dimensions. The actual enclosures will be 10" and 12" in depth, respectively.

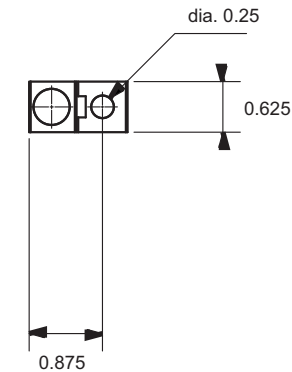
Fusible Disconnects

FUSERBLOC Series Dimensions

Terminal lugs

TL100

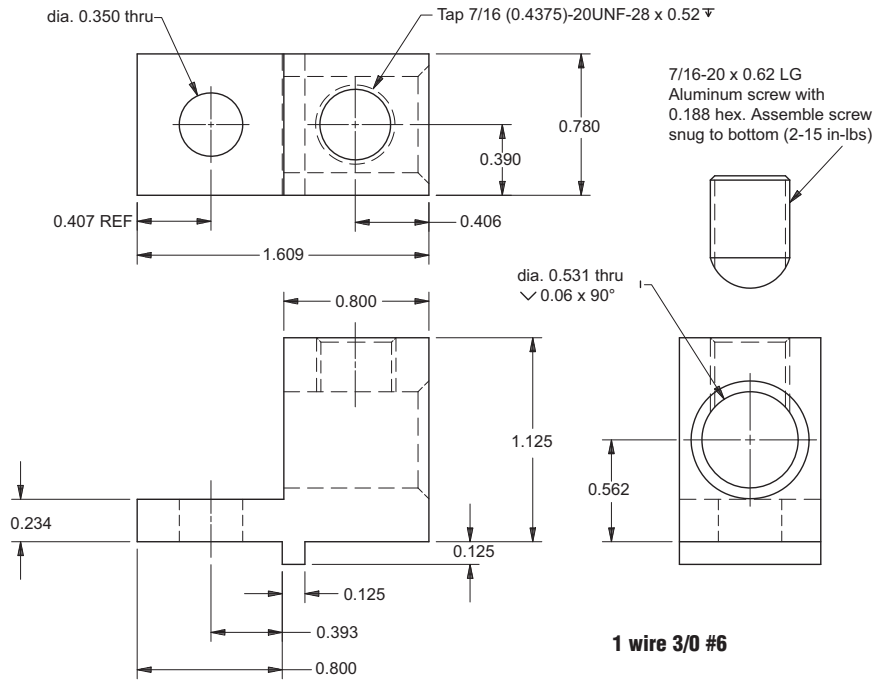
Use with FBJ100



1 wire 2/0 #14

TL200

Use with FBJ200



1 wire 3/0 #6

dimensions = inches