

Field Wireable Connectors

Features and Selection Guides



- M8 and M12 connectors
- IDC (insulation displacement connection) allows quick termination without stripping conductors
- IP67 rated once properly assembled
- Various cable gauges and diameters accepted



Field Wireable M8 Insulation Displacement (IDC) Connectors Selection Table							
Part Number	Price	Voltage	Poles	Connector Type	Conductor Wire	Housing Material	Outside Cable Diameter
7000-08321-0000000	<--->	32V AC/DC	3	Axial Male	20 to 24 AWG (0.5 to 0.25 mm ²)	Thermoplastic polyester elastomer (TPE- E)	4 to 5.1 mm (0.157 to 0.20 in)
7000-08341-0000000	<--->	32V AC/DC	4				
7000-08361-0000000	<--->	32V AC/DC	3	Axial Female			
7000-08381-0000000	<--->	32V AC/DC	4				
7000-08331-0000000	<--->	32V AC/DC	3	Axial Male	22 to 26 (0.34 to 0.14 mm ²)	Polyamide (PA)	2.5 to 5.1 mm (0.098 to 0.20 in)
7000-08351-0000000	<--->	32V AC/DC	4				
7000-08371-0000000	<--->	32V AC/DC	3	Axial Female			
7000-08391-0000000	<--->	32V AC/DC	4				

Field Wireable M12 Insulation Displacement (IDC) Connectors Selection Table							
Part Number	Price	Voltage	Poles	Connection Type	Conductor Wire	Housing Material	Outside Cable Diameter
7000-12481-0000000	<--->	32V AC/DC	4	Axial Male	20 to 24 AWG (0.5 to 0.25 mm ²)	Thermoplastic polyester elastomer (TPE- E)	4 to 5.1 mm (0.157 to 0.20 in)
7000-12601-0000000	<--->	32V AC/DC		Axial Female			
7000-12491-0000000	<--->	32V AC/DC		Axial Male	22 to 26 AWG (0.34 to 0.14 mm ²)	Polyamide (PA)	2.9 to 5.1 mm (0.114 to 0.20 in)
7000-12611-0000000	<--->	32V AC/DC		Axial Female			
7000-12561-0000000	<--->	32V AC/DC		Right Angle Male	20 to 24 AWG (0.5 to 0.25 mm ²)	Thermoplastic polyester elastomer (TPE- E)	4 to 5.1 mm (0.157 to 0.20 in)
7000-12681-0000000	<--->	32V AC/DC		Right Angle Female			

Field Wireable M12 Screw Connectors Selection Table								
Part Number	Price	Voltage	Poles	Connection Type	Conductor Wire	Housing Material	Outside Cable Diameter	
7000-12701-0000000	<--->	250V AC/DC	4	Axial Male	18 AWG (0.75 mm ²) max.	Polyamide (PA)	4 to 6 mm (0.157 to 0.236 in)	
7000-12721-0000000	<--->	125V AC/DC	5	Axial Male				
7000-12901-0000000	<--->	250V AC/DC	4	Axial Female				
7000-12921-0000000	<--->	125V AC/DC	5	Axial Female				
7000-12741-0000000	<--->	250V AC/DC	4	Axial Male			6 to 8 mm (0.236 to 0.315 in)	
7000-12761-0000000	<--->	125V AC/DC	5	Axial Male				
7000-12941-0000000	<--->	250V AC/DC	4	Axial Female				
7000-12961-0000000	<--->	125V AC/DC	5	Axial Female				
7000-12821-0000000	<--->	250V AC/DC	4	Right Angle Male				4 to 6 mm (0.157 to 0.236 in)
7000-12981-0000000	<--->	250V AC/DC	4	Right Angle Female				

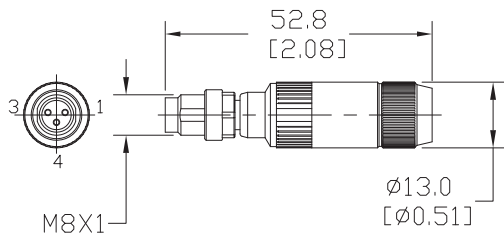
Field Wireable Connectors Specifications						
Connection	Insulation Displacement Connection				Screw Connection	
	M8		M12		M12	
Outside Cable Diameter (mm)	4 to 5.1	2.5 to 5.1	2.9 to 5.1	4 to 5.1	4.0 to 6.0	6.0 to 8.0
Nominal Voltage	Max. 32 VAC/DC				4-pin: 250 volts, 5-pin: 125 volts	
Current (max)	4-pole: 3A/ 3-pole: 4A		4A		4A	
Temperature	-25° to 85°C (13° to 185°F)					
Environmental Protection	IP67					
Isolation Materials	(Recommended conductor insulation) PVC/PP/TPE PolyVinyl Chloride/Polypropylene/Thermoplastic Elastomer				N/A	
Wire Diameter	1.2 to 1.6 mm [0.047 to 0.063 in.]	1.0 to 1.6 mm [0.039 to 0.063 in.]	1.2 to 1.6 mm [0.047 to 0.063 in.]		N/A	
Isolation Resistance	Category III per IEC 60664-1					
Screw	N/A				M2.5x0.45 mm, torque to 40 Nm (3.54 in.lb)	
Weight	0.03 oz (13.61 g)	0.04 oz (18.14 g)	0.05 oz (22.68 g)	0.06 oz (27.21 g)	0.05 oz (22.68 g)	0.06 oz (27.21 g)
Agency Approvals	UL Recognized. File E224242					

Field Wireable Connectors

LEGEND	
■	MALE PIN ON CONNECTOR
○	FEMALE PIN ON CONNECTOR
(FIELD CONNECTION TERMINAL

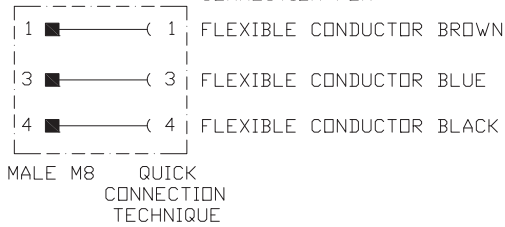
Dimensions mm [inches]

7000-08321-000000

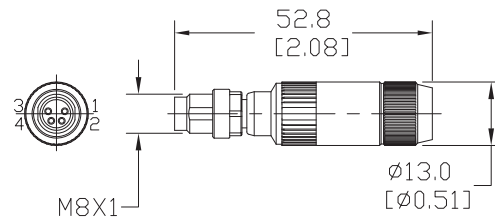


SCHEMATIC DIAGRAM

CONNECTION FOR:

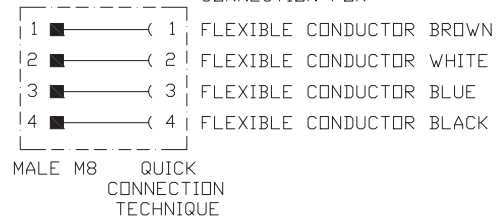


7000-08341-000000

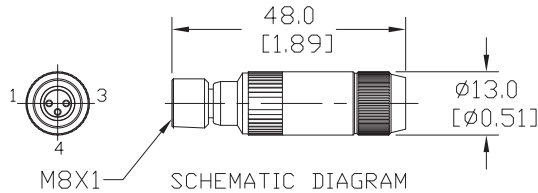


SCHEMATIC DIAGRAM

CONNECTION FOR:

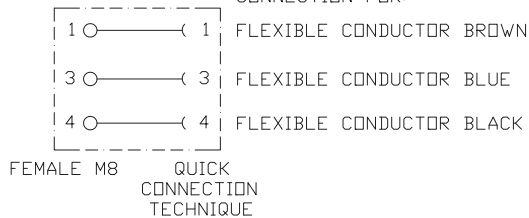


7000-08361-000000

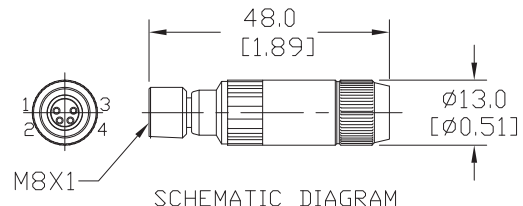


SCHEMATIC DIAGRAM

CONNECTION FOR:

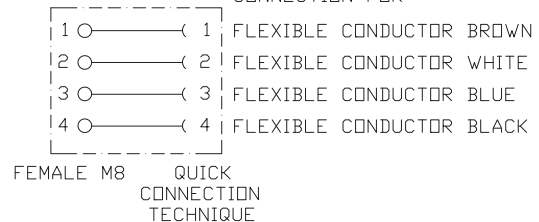


7000-08381-000000

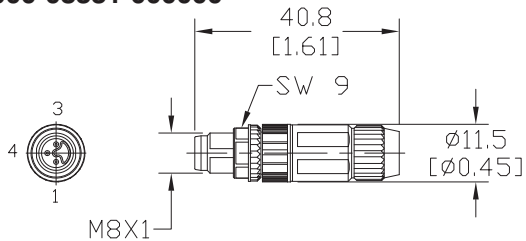


SCHEMATIC DIAGRAM

CONNECTION FOR:

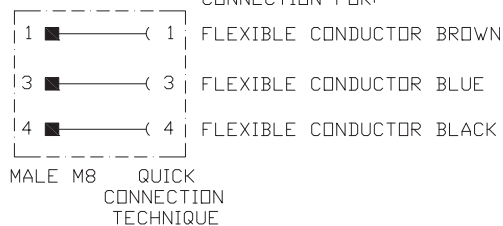


7000-08331-000000

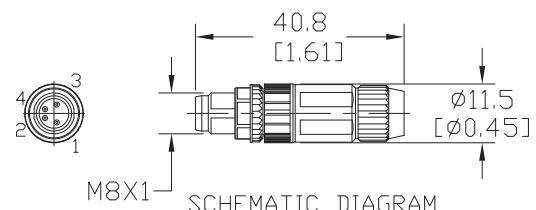


SCHEMATIC DIAGRAM

CONNECTION FOR:

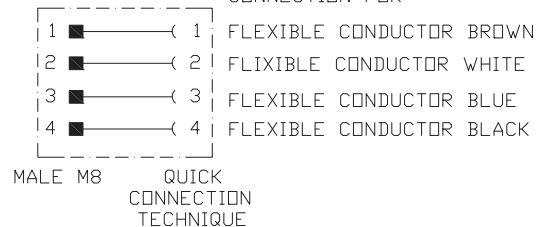


7000-08351-000000



SCHEMATIC DIAGRAM

CONNECTION FOR:

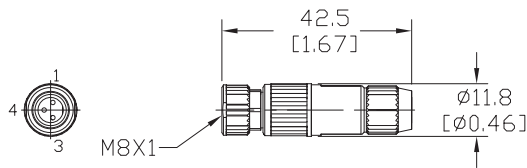


Field Wireable Connectors

LEGEND	
■	MALE PIN ON CONNECTOR
○	FEMALE PIN ON CONNECTOR
(FIELD CONNECTION TERMINAL

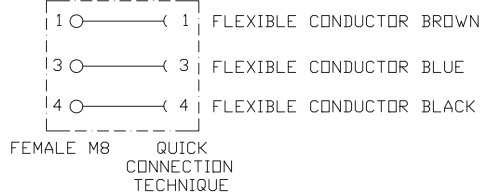
Dimensions mm [inches]

7000-08371-000000

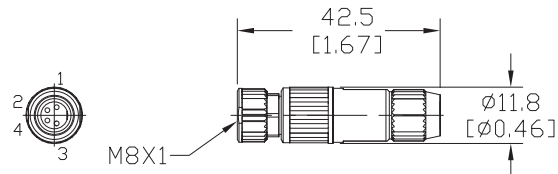


SCHEMATIC DIAGRAM

CONNECTION FOR:

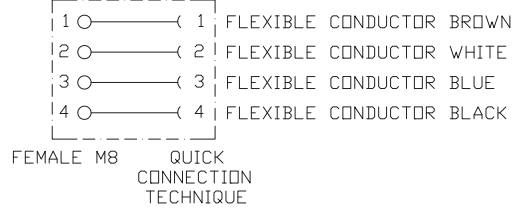


7000-08391-000000

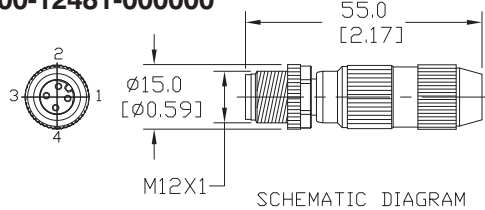


SCHEMATIC DIAGRAM

CONNECTION FOR:

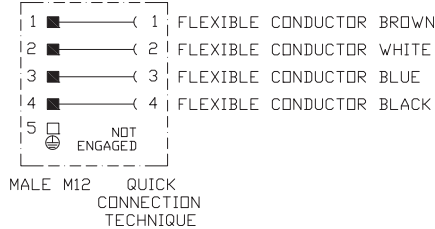


7000-12481-000000

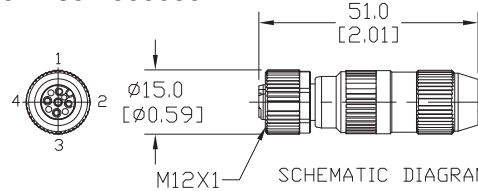


SCHEMATIC DIAGRAM

CONNECTION FOR:

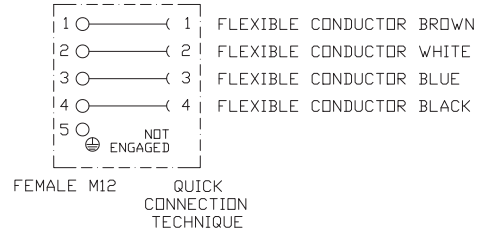


7000-12601-000000

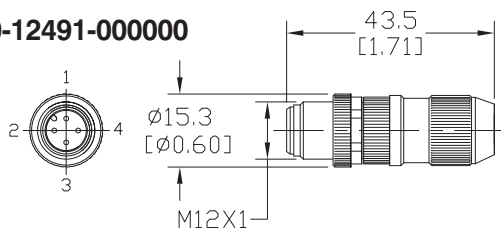


SCHEMATIC DIAGRAM

CONNECTION FOR:

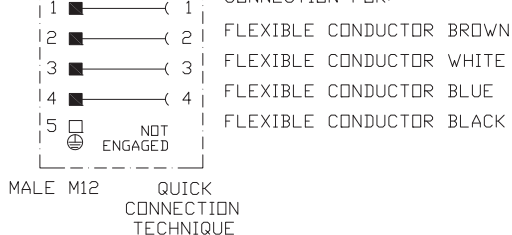


7000-12491-000000

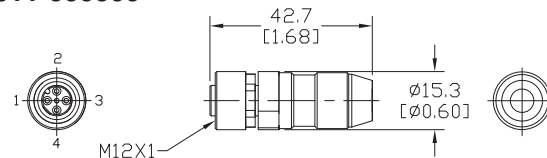


SCHEMATIC DIAGRAM

CONNECTION FOR:

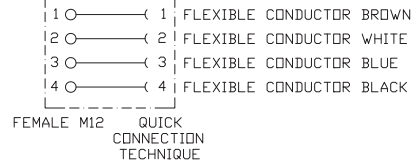


7000-12611-000000



SCHEMATIC DIAGRAM

CONNECTION FOR:



Company Information

Systems Overview

Programmable Controllers

Field I/O

Software

C-more & other HMI

Drives

Soft Starters

Motors & Gearbox

Steppers/ Servos

Motor Controls

Proximity Sensors

Photo Sensors

Limit Switches

Encoders

Current Sensors

Pressure Sensors

Temperature Sensors

Pushbuttons/ Lights

Process

Relays/ Timers

Comm.

Terminal Blocks & Wiring

Power

Circuit Protection

Enclosures

Tools

Pneumatics

Safety

Appendix

Product Index

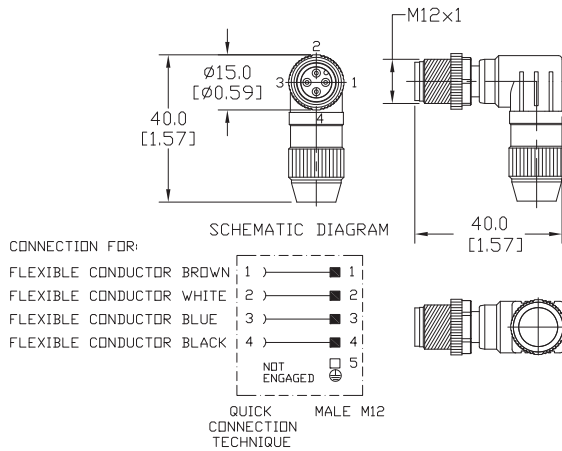
Part # Index

Field Wireable Connectors

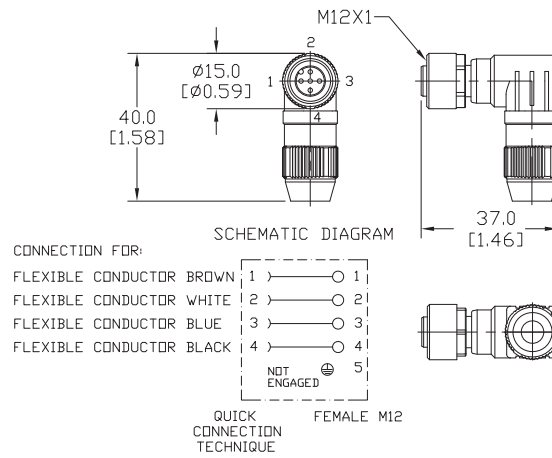
LEGEND	
■	MALE PIN ON CONNECTOR
○	FEMALE PIN ON CONNECTOR
(FIELD CONNECTION TERMINAL

Dimensions mm [inches]

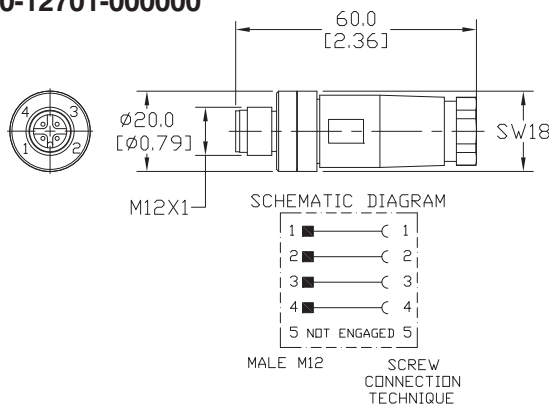
7000-12561-000000



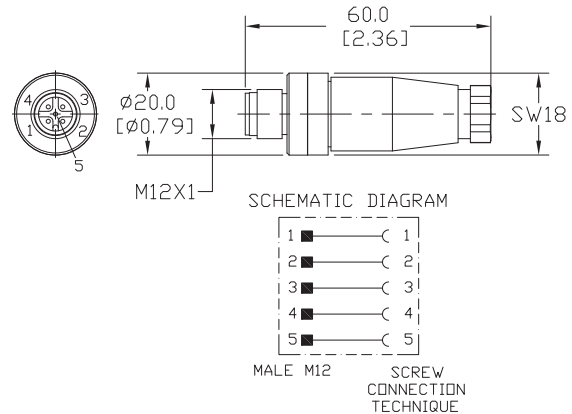
7000-12681-000000



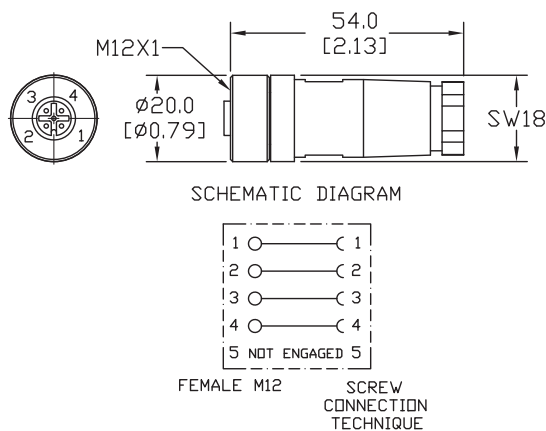
7000-12701-000000



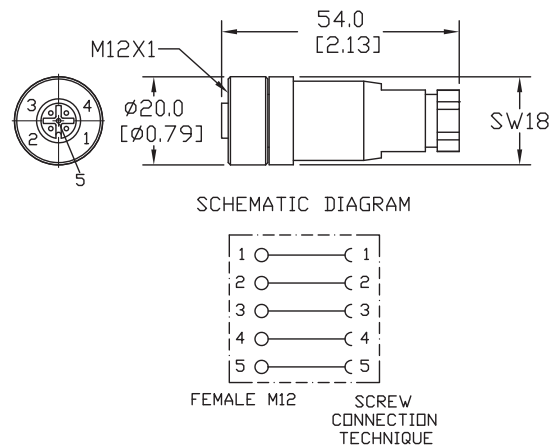
7000-12721-000000



7000-12901-000000



7000-12921-000000

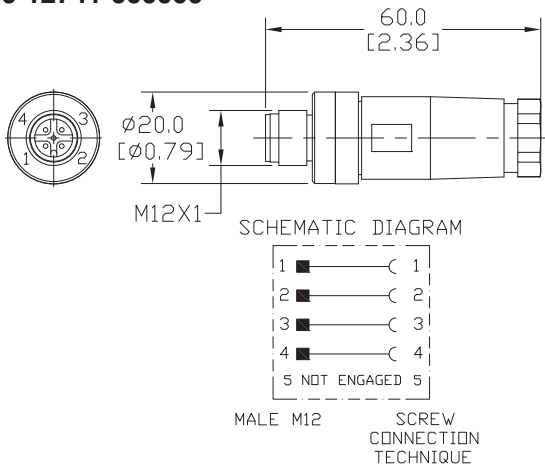


Field Wireable Connectors

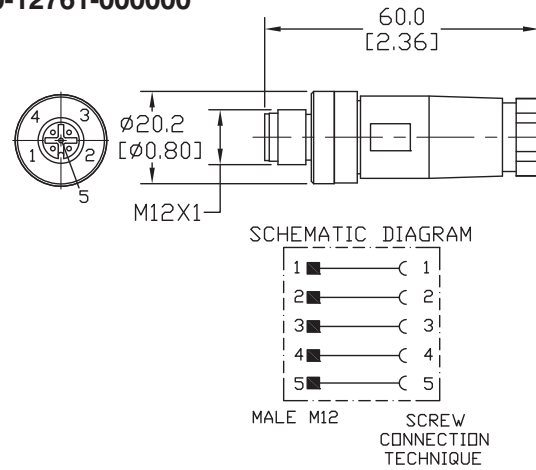
LEGEND	
■	MALE PIN ON CONNECTOR
○	FEMALE PIN ON CONNECTOR
(FIELD CONNECTION TERMINAL

Dimensions mm [inches]

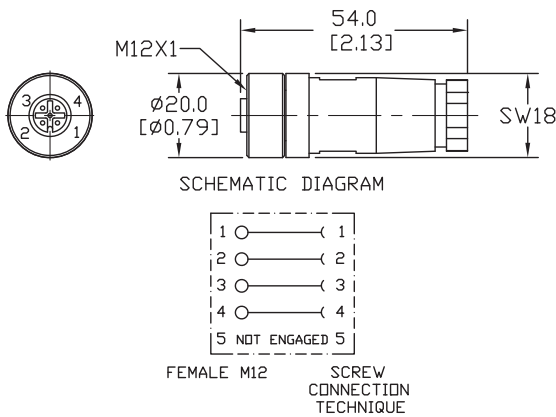
7000-12741-000000



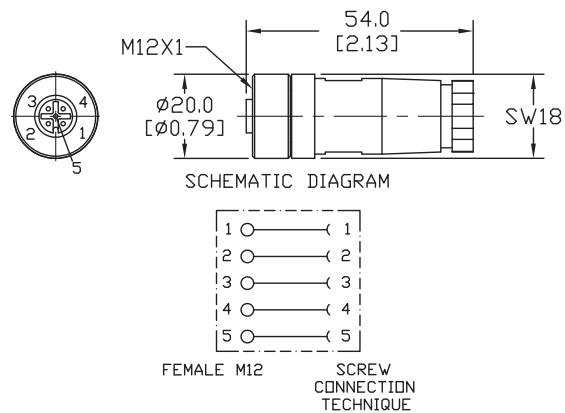
7000-12761-000000



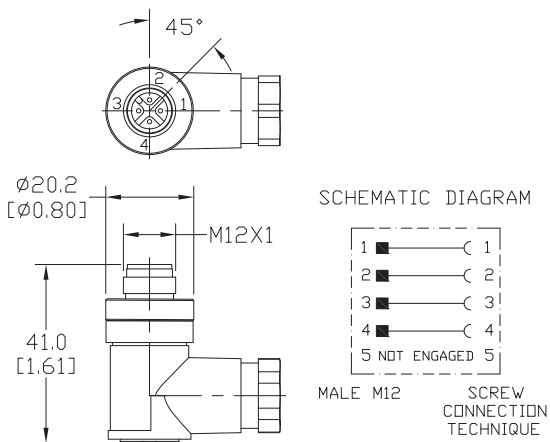
7000-12941-000000



7000-12961-000000



7000-12821-000000



7000-12981-000000

