



Tamperproof Thermostats for Enclosure Heaters, DIN Rail Mounted



011600-00 (Red)



011610-02 (Blue)



011630-00

Applications

N.C. Thermostat (red modules):

Tamperproof (pre-set) N.C. Thermostat that opens on temperature rise. Uses may include regulating heaters or switching signal devices when temperature has fallen below the minimum value.

N.O. Thermostat (blue modules):

Tamperproof (pre-set) N.O. Thermostat that closes on temperature rise. Uses may include regulating heat exchangers, filter fans, cooling devices or switching signal devices when temperature exceeds the maximum value.

Features

- Compact design
- Fixed set points
- Color coded modules
- DIN rail mounting



Tamperproof Thermostats (DIN Rail Mounted) Specifications		
Model	011600-00, 011600-01 and 011610-02	011630-00 and 011640-00
Sensor Element	Thermostatic bimetal	
Contact Type	Snap-action Contact	
Contact Resistance	<20 mΩ	
Service Life	>100,000 cycles	
Max. Switching Capacity	10 A resistive / 2A inductive @ 120 VAC; 5A resistive / 1.6 A inductive @ 240 VAC; DC 30 W	
Max. Inrush Current	AC 16 A for 10 sec.	
Minimum Load	20 mA (all voltages)*	
Connection	2-pole terminal for 14 AWG max. (2.5 mm ²), torque 0.8 Nm max.	4-pole terminal for 14 AWG max. (2.5 mm ²), torque 0.8 Nm max.
Housing	Plastic, UL 94V-0, light gray	
Mounting	Clip for 35 mm DIN rail, EN 60715	
Mounting Position	Vertical	
Operating Temperature	-40° to 176°F (-40° to 80°C)	
Storage Temperature	-49° to 176°F (-45° to 80°C)	
Weight	0.05 lb (23 g)	0.08 lb (40 g)
Protection Type	IP20	
Approvals	CE, UL Recognized File No. E164102, RoHS compliant	

**Not recommended for low current draw applications in humid or vibrating conditions.*

Type	Part Number	Price	Contact		Temperature	
			Type	Action	Switch-off	Switch-on
Single Thermostat	011600-00	<--->	N.C.	Open on rise	59 ± 9°F (15 ± 5°C)	41 ± 9°F (15 ± 5°C)
	011600-01	<--->			77 ± 9°F (25 ± 5°C)	59 ± 9°F (15 ± 5°C)
	011610-02	<--->	N.O.	Close on rise	95 ± 11°F (35 ± 6°C)	77 ± 12.6°F (25 ± 7°C)
Dual Thermostats	011630-00	<--->	N.C.	Open on rise	59 ± 9°F (15 ± 5°C)	41 ± 9°F (15 ± 5°C)
		<--->	N.O.	Close on rise	122 ± 11°F (50 ± 6°C)	104 ± 12.6°F (40 ± 7°C)
	011640-00	<--->	N.O.		140 ± 11°F (60 ± 6°C)	122 ± 12.6°F (50 ± 7°C)
		<--->	N.O.			

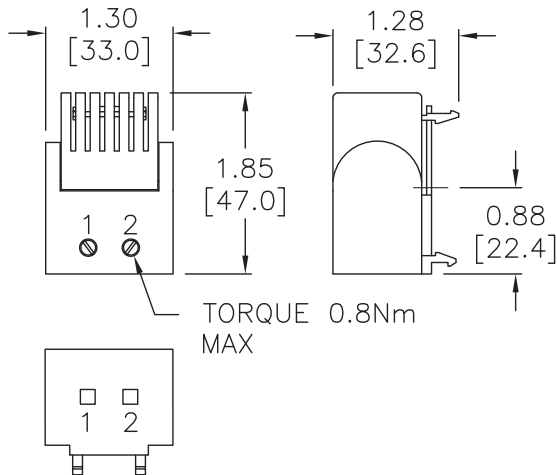
Note: Tolerance is plus or minus (±) the specified number.

Tamperproof Thermostats for Enclosure Heaters, DIN Rail Mounted (continued)

Dimensions

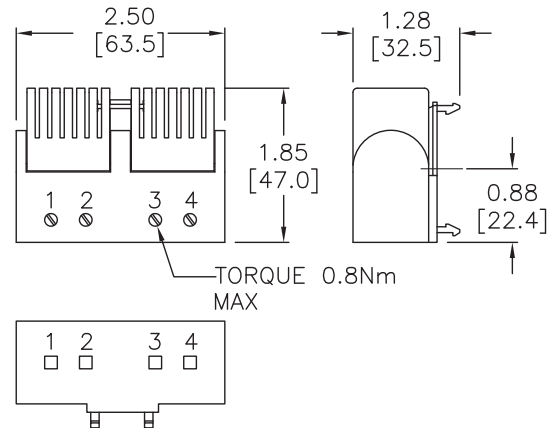
011600-00, 011600-01 and 011610-02

Inches [mm]



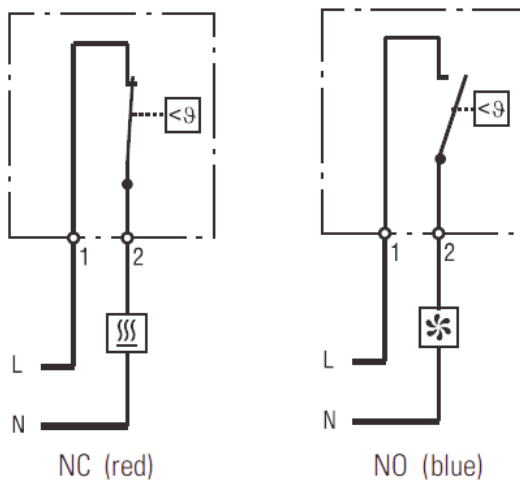
011630-00 and 011640-00

Inches [mm]



Wiring Diagrams

011600-00, 011600-01, 011610-02, 011630-00 and 011640-00





Small Thermostats For Enclosure Heaters, DIN Rail Mounted



011409-00 and 011469-00



011419-00 and 011479-00

Part Number	Price	Contact	Setting Range
011409-00	<-->	N.C.	+32° to 140°F
011469-00	<-->	Open on rise	0° to 60°C
011419-00	<-->	N.O.	+32° to 140°F
011479-00	<-->	Close on rise	0° to 60°C

Applications

N.C. Adjustable Thermostat (red temperature dial):

Thermostat opens on temperature rise. Uses may include regulating heaters or switching signal devices when temperature has fallen below the setpoint value.

N.O. Adjustable Thermostat (Blue temperature dial):

Thermostat closes on temperature rise. Uses may include regulating heat exchangers, filter fans or switching signal devices when temperature exceeds the setpoint value.

Features

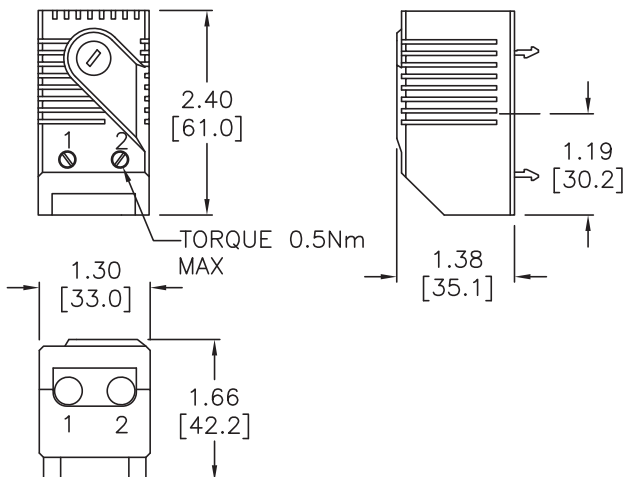
- Compact design
- Wide adjustment range
- Color coded temperature dials
- DIN rail mounting



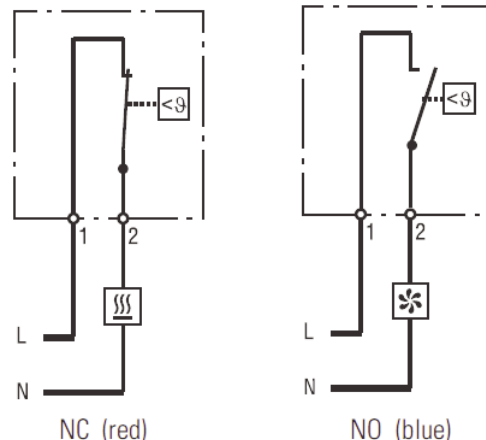
Small Thermostats (DIN Rail Mounted) Specifications	
Switching Difference	12.6°F ±7°F tolerance (7K ± 4K)
Sensor Element	Thermostatic bimetal
Contact Type	Snap-action contact
Contact Resistance	<10 mΩ
Service Life	>100,000 cycles
Max. Switching Capacity	15 A resistive / 2A inductive @ 120 VAC; 10 A resistive / 2A inductive @ 250 VAC; DC 30 W
Max. Inrush Current	AC 16 A for 10 sec.
Minimum Load	20 mA (all voltages)
Connection	2-pole terminal, clamping torque 0.5 Nm max.; solid wire - 14 AWG max. (2.5 mm ²); stranded wire (with wire end ferrule) - 16 AWG (1.5 mm ²)
Housing	Plastic, UL 94V-0, light gray
Mounting	Clip for 35 mm DIN rail, EN 60715
Mounting Position	Vertical
Operating / Storage Temperature	-49° to 176°F (-45° to 80°C)
Weight	0.09 lb (40 g)
Protection Type	IP20
Approvals	CE, CSA, UL Recognized File No. E164102, RoHS compliant

Dimensions

Inches [mm]



Wiring Diagrams:





Dual Thermostats for Enclosure Heaters, DIN Rail Mounted



011729-00 and 011720-01

Applications

This unit houses two separate thermostats, allowing independent control of heating, cooling or other equipment.

The **N.C.** thermostat (red dial) opens on temperature rise and the **N.O.** thermostat (Blue dial) closes on temperature rise. Some uses for the **N.C.** thermostat may include regulating heaters or switching signal devices. Uses for the **N.O.** thermostat may include regulating heat exchangers, filter fans or switching signal devices.

Features

- N.C. / N.O. in one unit
- Compact design
- Separate adjustable temperatures
- Color coded temperature dials
- DIN rail mounting

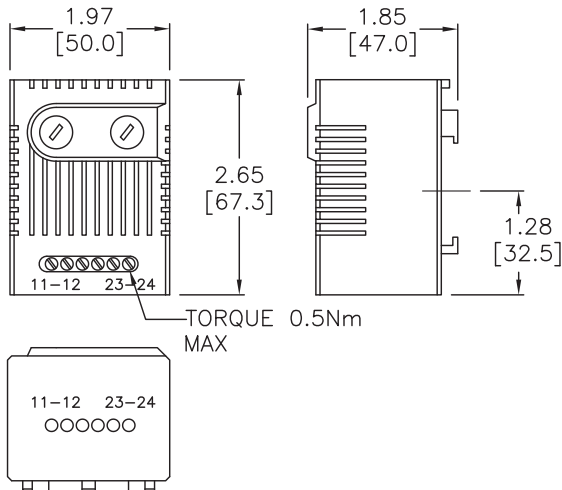


Part Number	Price	Setting Range
011720-00	<-->	0° to 60°C
011720-01	<-->	32° to 140°F

Dual Thermostats (DIN Rail Mounted) Specifications	
Switching Difference	12.6°F ±7°F tolerance (7K ± 4K)
Sensor Element	Thermostatic bimetal
Contact Type	Snap-action contact
Contact Resistance	<10 mΩ
Service Life	>100,000 cycles
Max. Switching Capacity	NC: 10 A resistive / 2A inductive @ 120 VAC; NO: 5A resistive / 2A inductive @ 250 VAC; DC 30 W
Max. Inrush Current	AC 16 A for 10 sec.
Minimum Load	20 mA (all voltages)
Connection	4-pole terminal, clamping torque 0.5 Nm max.; solid wire - 14 AWG max. (2.5 mm ²); stranded wire (with wire end ferrule) - 16 AWG (1.5 mm ²)
Housing	Plastic, UL 94V-0, light gray
Mounting	Clip for 35 mm DIN rail, EN 60715
Mounting Position	Vertical
Operating / Storage Temperature	-49° to 176°F (-45° to 80°C)
Weight	0.2 lb (90 g)
Protection Type	IP20
Approvals	CE, CSA, UL Recognized File No. E164102, RoHS compliant

Dimensions:

Inches [mm]



Wiring Diagram

