



# Electronic Hygrotherms for Enclosures, DIN Rail Mounted



012309-00

## Applications

The electronic hygrotherms sense the ambient temperature and relative air humidity. Depending on the selected contact combination, the hygrotherm will turn a connected device on or off if either the temperature is below or the humidity is above the set points. The integrated LED in each adjustment knob is lit to indicate the active function.

## Features

- Efficient temperature and humidity control
- Compact design
- High switching capacity
- Optical function display
- DIN rail mounting

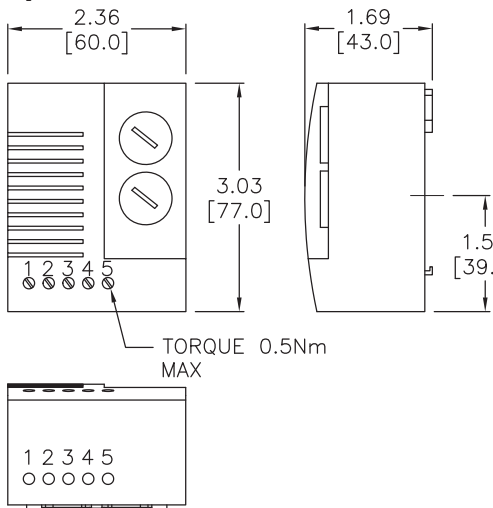


Part Number	Price	Settings Ranges	
		Temp	Humidity
012309-00	<--->	32° to 140°F	50% to 90% RH

Electronic Hygrotherms (DIN Rail Mounted) Specifications	
<b>Switching Difference - Temperature</b>	3.6°F (2K) 1K tolerance - at 77°F (25°C) and 50% RH
<b>Switching Difference - Humidity</b>	4% RH ±1% tolerance - at 77°F (25°C) and 50% RH
<b>Operating Voltage</b>	120 VAC, 50/60 Hz
<b>Response Time - Humidity</b>	Approximately 5 seconds
<b>Contact Type</b>	SPDT / change-over contact (relay)
<b>Contact Resistance</b>	<10 mΩ
<b>Service Life</b>	NC: >50,000 cycles; NO: >100,000 cycles
<b>Max. Switching Capacity</b>	NC: 6A resistive / 1A inductive @ 120 VAC; NO: 8A resistive / 1.6A inductive @ 120 VAC; 4A @ 24 VDC
<b>Max. Inrush Current</b>	AC 16 A for 10 sec.
<b>Connection</b>	5-pole terminal, clamping torque 0.5 Nm max.; solid wire - 14 AWG max. (2.5 mm <sup>2</sup> ); stranded wire (with wire end ferrule) - 16 AWG (1.5 mm <sup>2</sup> )
<b>Housing</b>	Plastic, UL 94V-0, light gray
<b>Mounting</b>	Clip for 35 mm DIN rail, EN 60715
<b>Mounting Position</b>	Vertical
<b>Operating Temperature</b>	32° to 140°F (0° to 60°C)
<b>Storage Temperature</b>	-4° to 176°F (-20° to 80°C)
<b>Weight</b>	0.44 lb (200 g)
<b>Protection Type</b>	IP20
<b>Approvals</b>	CE, UL Recognized File No. E164102, RoHS compliant

## Dimensions:

Inches [mm]



## Wiring Diagram

